

GENERAL DESCRIPTION

Model T flow meters incorporate the principles of traditional variable area flow technology.

These rugged PTFE-Glass flow meters offer solutions to low to medium flow range measurements of highly corrosive or ultra-pure liquids and gases.

Wetted inert components are surrounded by structurally rigid anodized aluminum. The resultant design represents a unique combination of a rugged mechanically rigid frame and chemically inert wetted parts.

For additional protection of personnel each meter is supplied with a thick protective magnifying safety shield.

*Glass and Sapphire floats are recommended.

design features

- ✓ Constructed of inert materials: Borosilicate Glass, PTFE and PCTFE.
- ✓ Chemically inert wetted parts within mechanically rigid frame.
- ✓ Rib-guided or fluted metering tubes facilitate stable, accurate readings.
- ✓ Magnifier lens in front shield to enhance reading resolution.
- ✓ OPTIGRAD™ scales minimize parallax and eye fatigue.
- ✓ Simple means of panel mounting.
- ✓ Interchangeability of flow tubes and floats.
- ✓ Conveniently overlapping flow ranges available in both standard millimeter and "direct reading" scales.



PTFE 150mm
with MVT™ Valve

PTFE 65mm
with CVT™ Valve

T

PTFE-SINGLE GLASS FLOW METERS

LEAK INTEGRITY

Flow meters are individually tested on a Mass Spectrometer Leak Detector and certified to a leak integrity rating of 1×10^{-7} sccs Helium or better.

BUILT-IN VALVES

Meters are available with built-in needle valves (CVT™), high precision metering valves (MVT™) with “non-rising stems”, or with no valves. The higher cost of MVT™ valves is justified whenever high sensitivity control and resolution are desirable particularly in conjunction with metering tubes of very low flow rates.

When meters with valves are ordered the valve cartridges are installed at the inlet. For vacuum service it is recommended that meters are ordered with valves at the outlet.

Assorted flow tubes may be used in conjunction with a single mounting frame, an apparent benefit in many laboratory applications.

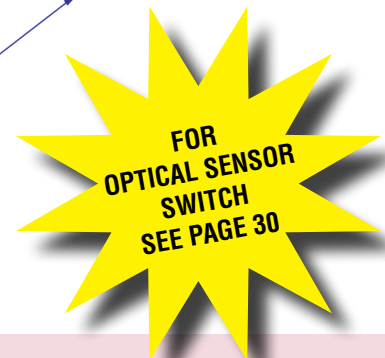
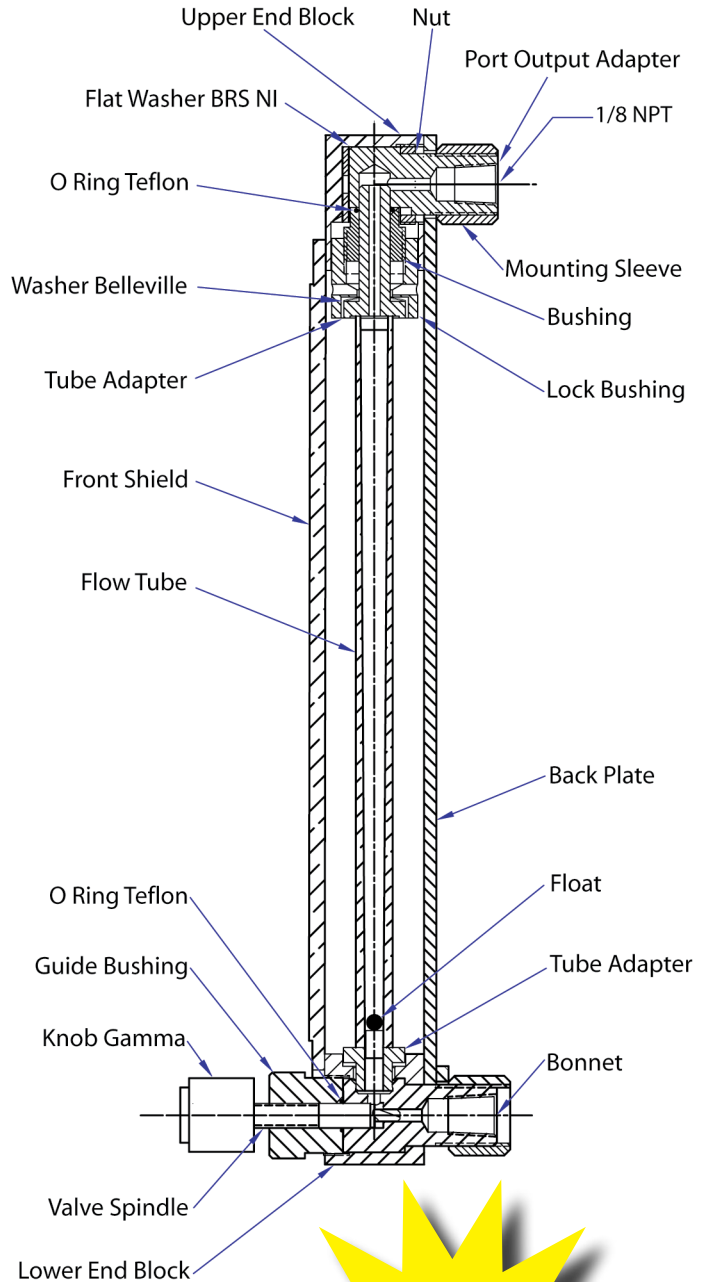
SPECIFICATIONS

STANDARD ACCURACY	±2% FS mm scales except 042 and 032 flow tubes. ±5% FS direct reading scales 042 and 032 flow tubes.
REPEATABILITY	± 0.25%.
USEFUL FLOW RANGES	10:1 minimum with one float.
MAXIMUM OPERATING PRESSURE	100 psig/6.7 bars.
MAXIMUM OPERATING TEMPERATURE	150 °F/ 65 °C.
LEAK INTEGRITY	Individually pressure and leak tested and certified to a rating of 1×10^{-7} sccs Helium.

**MATERIALS OF CONSTRUCTION

FLOW TUBES	Heavy walled borosilicate glass. (Sapphire or glass floats recommended).
FITTINGS IN CONTACT WITH FLUIDS	Virgin PTFE and PCTFE.
SIDE PLATES	Aluminum, black anodized.
FRONT SHIELD AND BACK PLATE	1/8" thick clear polycarbonate and white acrylics.
O-RINGS	PTFE.
CONNECTIONS	1/8" NPT female inlet and outlet connections.
OPTIONAL	glass hose nipples or compression fittings.

**The selection of materials of construction, is the responsibility of the customer. The company accepts no liability.



Panel mounting is convertible to bench mounting through the use of an optional acrylic tripod base with spirit leveler (catalog No. TP1)

Ordering information see page 26.
Dimensional information see page 25.

Four Tube PTFE meter shown with CVT™ valves



Model Tx Multiple Tube PTFE-Glass Flow meters combine the convenience of multiple tube meters with the unique design features of single tube PTFE-Glass flow meters. These meters are available with the same interchangeable 65mm or 150mm glass flow tubes used in single tube designs and they are available with or without built-in PTFE needle valves.

Wetted inert components are surrounded by structurally rigid anodized aluminum. The resultant design represents a unique combination of a rugged mechanically rigid frame and chemically inert wetted parts.

They are ideal for applications where several streams of corrosive gases or liquids are to be metered in individual channels or as a controlled mixer in manifolded models.

design features

- ✓ Constructed of inert materials: Borosilicate Glass, PTFE and PCTFE.
- ✓ Chemical inert wetted parts within mechanically rigid frame.
- ✓ Rib-guided or fluted metering tubes facilitate: stable, accurate readings.
- ✓ OPTIGRAD™ scales minimize parallax and eye fatigue.
- ✓ Simple means of panel mounting.
- ✓ Interchangeability of flow tubes and floats.
- ✓ Conveniently overlapping flow ranges available in both standard millimeter and direct reading scales.



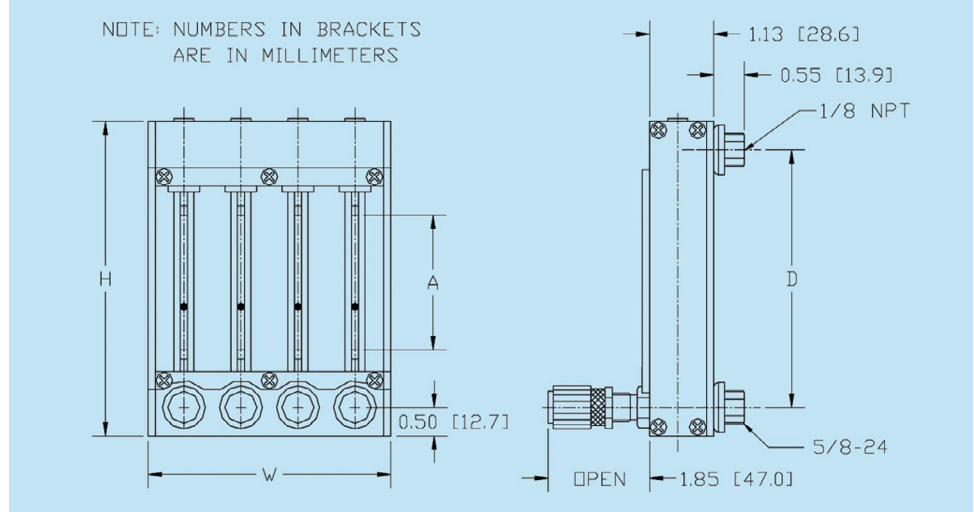
PTFE-SINGLE GLASS FLOW METERS

BUILT-IN VALVES

Meters are available with built-in needle valves (CVT™), high precision metering valves (MVT™) with non-rising stems, or with no valves. The higher cost of MVT™ valves is justified whenever high sensitivity control and resolution are desirable particularly in conjunction with metering tubes of very low flow rates.

For vacuum service it is recommended that meters are ordered with valves at the outlet.

DIMENSIONS



Note: To obtain millimeters multiply inch dimensions by 2.54.

NOTE: Aalborg® reserves the right to change designs and dimensions at its sole discretion at any time without notice. For certified dimensions please contact Aalborg®.

LEAK INTEGRITY

Flow meters are individually tested on a Mass Spectrometer Leak Detector and certified to a leak integrity rating of 1×10^{-7} sccs Helium or better.

SPECIFICATIONS

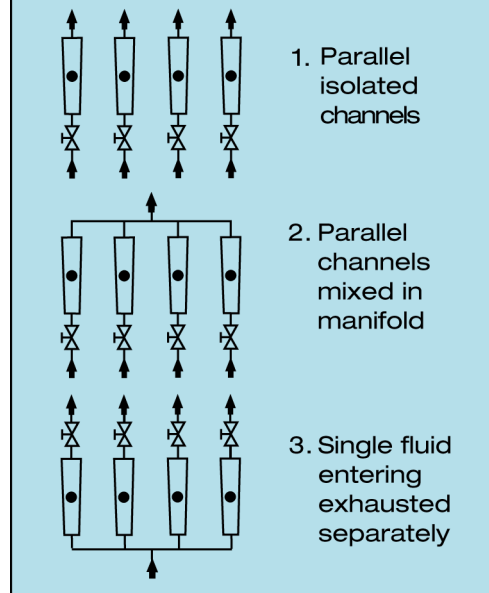
STANDARD ACCURACY	±2% FS mm scales except 042 and 032 flow tubes. ±5% FS direct reading scales and 042 and 032 flow tubes.
REPEATABILITY	± 0.25%.
USEFUL FLOW RANGES	10:1 minimum with one float.
MAXIMUM OPERATING PRESSURE	100 psig/6.7 bars.
MAXIMUM OPERATING TEMPERATURE	150 °F/ 65 °C.
LEAK INTEGRITY	Individually pressure and leak tested and certified to a rating of 1×10^{-7} sccs Helium.

**MATERIALS OF CONSTRUCTION

FLOW TUBES	Heavy walled borosilicate glass. (Sapphire or glass floats recommended).
FITTINGS IN CONTACT WITH FLUIDS	Virgin PTFE and PCTFE.
SIDE PLATES	Aluminum, black anodized.
FRONT SHIELD AND BACK PLATE	1/8" thick clear polycarbonate and white acrylics.
O-RINGS	PTFE.
CONNECTIONS	1/8" NPT female inlet and outlet connections.
OPTIONAL	glass hose nipples or compression fittings.

**The selection of materials of construction, is the responsibility of the customer. The company accepts no liability.

FLOW PATTERNS AVAILABLE



When meters with valves are ordered the valve cartridges are installed at the inlet.

DIMENSIONS FOR T STYLE METERS

SCALE LENGTH (A)	ALL METERS		WIDTH (W)			
	HEIGHT (H)	CENTER TO CENTER (D)	TUBE 1	TUBE 2	TUBE 3	TUBE 4
65mm	6.156	5.156	1.250	2.250	3.250	4.250
150mm	10.46	9.469	1.250	2.250	3.250	4.250

ORDERING INFORMATION MODEL T METERS



Configure and Order Online: [Model T Single Flow Tube PTFE Meters](#)
[Model Tx Multi Flow Tube PTFE Meters](#)

T	T STYLE METERS												
	<table border="1"> <thead> <tr> <th>CODE</th> <th>NUMBER OF CHANNELS</th> </tr> </thead> <tbody> <tr> <td>1</td> <td>SINGLE CHANNEL (ONE TUBE)</td> </tr> <tr> <td>2</td> <td>TWO CHANNEL METER (TWO TUBES)</td> </tr> <tr> <td>3</td> <td>THREE CHANNEL METER (THREE TUBES)</td> </tr> <tr> <td>4</td> <td>FOUR CHANNEL METER (FOUR TUBES)</td> </tr> </tbody> </table>	CODE	NUMBER OF CHANNELS	1	SINGLE CHANNEL (ONE TUBE)	2	TWO CHANNEL METER (TWO TUBES)	3	THREE CHANNEL METER (THREE TUBES)	4	FOUR CHANNEL METER (FOUR TUBES)		
CODE	NUMBER OF CHANNELS												
1	SINGLE CHANNEL (ONE TUBE)												
2	TWO CHANNEL METER (TWO TUBES)												
3	THREE CHANNEL METER (THREE TUBES)												
4	FOUR CHANNEL METER (FOUR TUBES)												
	<table border="1"> <thead> <tr> <th>CODE</th> <th>SIZE</th> </tr> </thead> <tbody> <tr> <td>6</td> <td>65 mm</td> </tr> <tr> <td>1</td> <td>150 mm</td> </tr> </tbody> </table>	CODE	SIZE	6	65 mm	1	150 mm						
CODE	SIZE												
6	65 mm												
1	150 mm												
	<table border="1"> <thead> <tr> <th>CODE</th> <th>MATERIAL</th> </tr> </thead> <tbody> <tr> <td>T</td> <td>PTFE</td> </tr> </tbody> </table>	CODE	MATERIAL	T	PTFE								
CODE	MATERIAL												
T	PTFE												
	<table border="1"> <thead> <tr> <th>CODE</th> <th>VALVE POSITION</th> </tr> </thead> <tbody> <tr> <td>1</td> <td>MFV (HIGH PRECISION) INLET</td> </tr> <tr> <td>3</td> <td>NO VALVE</td> </tr> <tr> <td>4</td> <td>CV (STANDARD CARTRIDGE) INLET</td> </tr> <tr> <td>5</td> <td>MFV (HIGH PRECISION) OUTLET</td> </tr> <tr> <td>6</td> <td>CV (STANDARD CARTRIDGE) OUTLET</td> </tr> </tbody> </table>	CODE	VALVE POSITION	1	MFV (HIGH PRECISION) INLET	3	NO VALVE	4	CV (STANDARD CARTRIDGE) INLET	5	MFV (HIGH PRECISION) OUTLET	6	CV (STANDARD CARTRIDGE) OUTLET
CODE	VALVE POSITION												
1	MFV (HIGH PRECISION) INLET												
3	NO VALVE												
4	CV (STANDARD CARTRIDGE) INLET												
5	MFV (HIGH PRECISION) OUTLET												
6	CV (STANDARD CARTRIDGE) OUTLET												
	<table border="1"> <thead> <tr> <th>CODE</th> <th>SEALS</th> </tr> </thead> <tbody> <tr> <td>T</td> <td>PTFE</td> </tr> </tbody> </table>	CODE	SEALS	T	PTFE								
CODE	SEALS												
T	PTFE												
	<table border="1"> <thead> <tr> <th>CODE</th> <th>FITTINGS</th> </tr> </thead> <tbody> <tr> <td>A</td> <td>1/8" FNPT (STANDARD)</td> </tr> <tr> <td>F</td> <td>1/4" COMPRESSION</td> </tr> <tr> <td>G</td> <td>0.390 O.D. GLASS HOSE NIPPLE</td> </tr> </tbody> </table>	CODE	FITTINGS	A	1/8" FNPT (STANDARD)	F	1/4" COMPRESSION	G	0.390 O.D. GLASS HOSE NIPPLE				
CODE	FITTINGS												
A	1/8" FNPT (STANDARD)												
F	1/4" COMPRESSION												
G	0.390 O.D. GLASS HOSE NIPPLE												
	<table border="1"> <thead> <tr> <th>CODE</th> <th>MANIFOLD</th> </tr> </thead> <tbody> <tr> <td>0</td> <td>NONE (STANDARD FOR SINGLE CHANNEL)</td> </tr> <tr> <td>1</td> <td>BOTTOM</td> </tr> <tr> <td>2</td> <td>TOP</td> </tr> </tbody> </table>	CODE	MANIFOLD	0	NONE (STANDARD FOR SINGLE CHANNEL)	1	BOTTOM	2	TOP				
CODE	MANIFOLD												
0	NONE (STANDARD FOR SINGLE CHANNEL)												
1	BOTTOM												
2	TOP												
T	1 1 T 3 — T F 0 — *TUBE												

EXAMPLE: T11T3-TF0

T-Style Meter, Single Channel, 150mm, PTFE, No Valve, PTFE Seals, 1/4" compression fittings, No Manifold.

Optional Accessories

- TP1**-Tripod for single channel meter.
- TP2**-Tripod for 2 and 4 isolated channels or manifolding at top.
- TP3**-Tripod for 3 isolated channels or manifolding at bottom.
- TP5**-Tripod for 3 single tube meters.

*Tube selection:

- Millimeter tubes:** Tables 6 thru 9
- Direct Reading tubes:** Tables 11 thru 22.