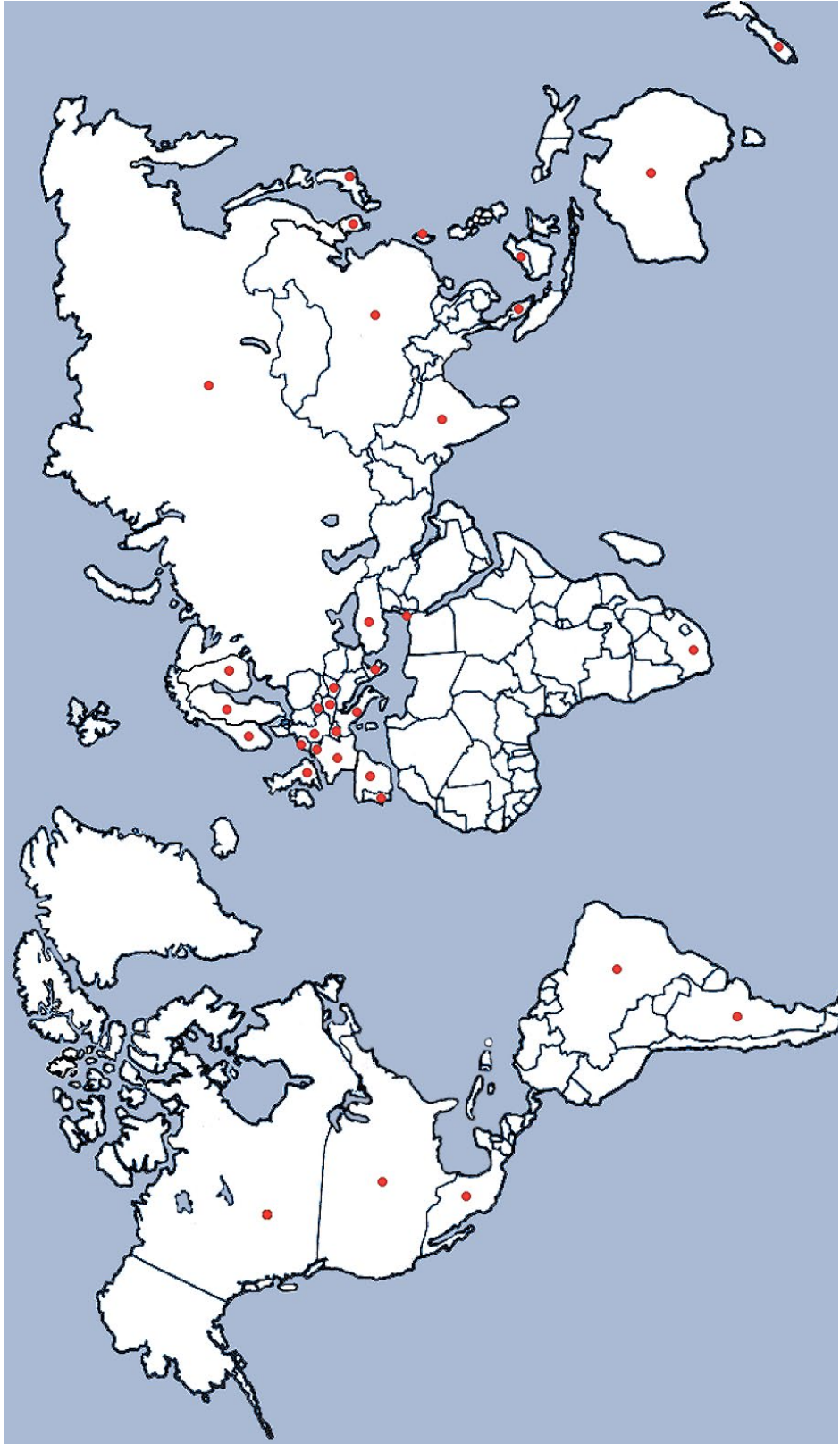
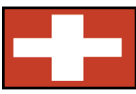


Digital and Analog Flow Meters and Controllers



AALBORG





Worldwide Distribution

Visit our web site at: www.aalborg.com



About the Company

Founded in 1972, Aalborg is well-known throughout the world as a primary manufacturer of precision instrumentation for flow measurement and control.

We operate two divisions:

The Electronics Division produces analog and digital mass flow meters and controllers, as well as a diverse line of wafer and insertion type vortex flow meters for steam, liquid or gases. In addition a line of peristaltic pumps, stepping motor driven valves made in this department are highly useful in processing and OEM applications.

The Variable Area Division manufactures a complete line of glass tube rotameters. These flow meters are available with aluminum, brass, stainless steel or PTFE wetted components. Aalborg also manufactures a unique line of PFA tube meters for ultrapure or corrosive applications. Precision barstock stainless steel or brass needle valves, as well as PTFE valves, are also manufactured in this division.

NIST Traceability

All equipment used for flow calibrations are traceable to NIST.

Accredited Calibration Services

AALFA-KAL Metrology Laboratory, division of Aalborg Instruments & Controls is accredited by A2LA in conformance to ISO17025/2005 and to Z540-1/1994. Gas flow calibrations up to 50L/min are performed according Scope of Accreditation - Certificate Number: 3989.01.

Technical Assistance

Technical Assistance is readily available. Customers are invited to contact the company or our distributors to discuss individual requirements. OEM applications are welcome.

ISO9001/2015 Certification

Aalborg has been ISO 9001 certified since April of 1995. We are very proud of the design features and the exceptionally high quality for which our products which have been known since 1972. It is our policy that through strict enforcement of exacting manufacturing standards the Aalborg brand name continues to be associated with a reputation of high quality and reliability. Our products are backed by meticulous innovative engineering combined with efficient manufacturing practices and a highly skilled work force guaranteeing total customer satisfaction.

Our Mission

It is the policy of Aalborg to develop, produce and deliver products and services which consistently conform to or exceed customer requirements.

Our commitment is to provide cutting-edge technology combined with a sincere desire to serve our customers and produce the highest quality products attainable.

Table of Contents

CAL	Calibrations, Services And Certificates		Page 1
GFM	Mass Flow Meters		Page 13
XFM	Digital Mass Flow Meters		Page 19
ZFM	Digital Mass Flow Meters		Page 27
DPM	Multi-Parameter - Multi-Gas Mass Flow Meter		Page 33
GFC	Mass Flow Controllers		Page 39
DPC	Precision Digital Mass Flow Controller with Multi-Gas Functionality		Page 44
TIO	Totalizer Input/Output Flow Monitor/Controller		Page 52
DFC	Digital Mass Flow Controllers		Page 57

AFC

Analog Mass Flow Controllers

Page 65



SDPROC

Microprocessor Driven Command Modules

Page 71



PWM

Paddle Wheel Flow Meters

Page 75



PWE

Digital Paddle Wheel Flow Meter

Page 76



PSV

Liquid and Gas Flow Regulators

Page 81



SMV

Stepping Motor Valves

Page 86



SMVI

Intelligent Control Valve

Page 88



CON

Conversion Factors

Page 92

NIST Traceable Calibrations

Our laboratories are fully equipped to perform NIST traceable flow calibrations for Rotameters, Mass Flow Meters and Mass Flow Controllers.

We offer calibration services on meters and controllers of other manufacturers' products as well.

AALFA-KAL laboratory is equipped to calibrate Molboxes. Our technicians are trained and certified by the manufacturer of Molboxes and Moblocs.

For fast cost effective service please contact our customer service department.

A2LA Accredited Calibrations

AALFA-KAL Metrology Laboratory, division of Aalborg Instruments & Controls is accredited by A2LA in conformance to ISO17025/2005 and to Z540-1/1994. Gas flow calibrations up to 50L/min are performed according to Scope of Accreditation - Certificate Number: 3989.01.

Compliance Qualifications

Extensive set of Molbox/Molblocs ensure conveniently overlapping calibration ranges.

- ANSI/NCSL Z540-1-1994
- ISO9001/2015 CERTIFIED
- MIL-STD-456624A
- ISO17025 Accredited

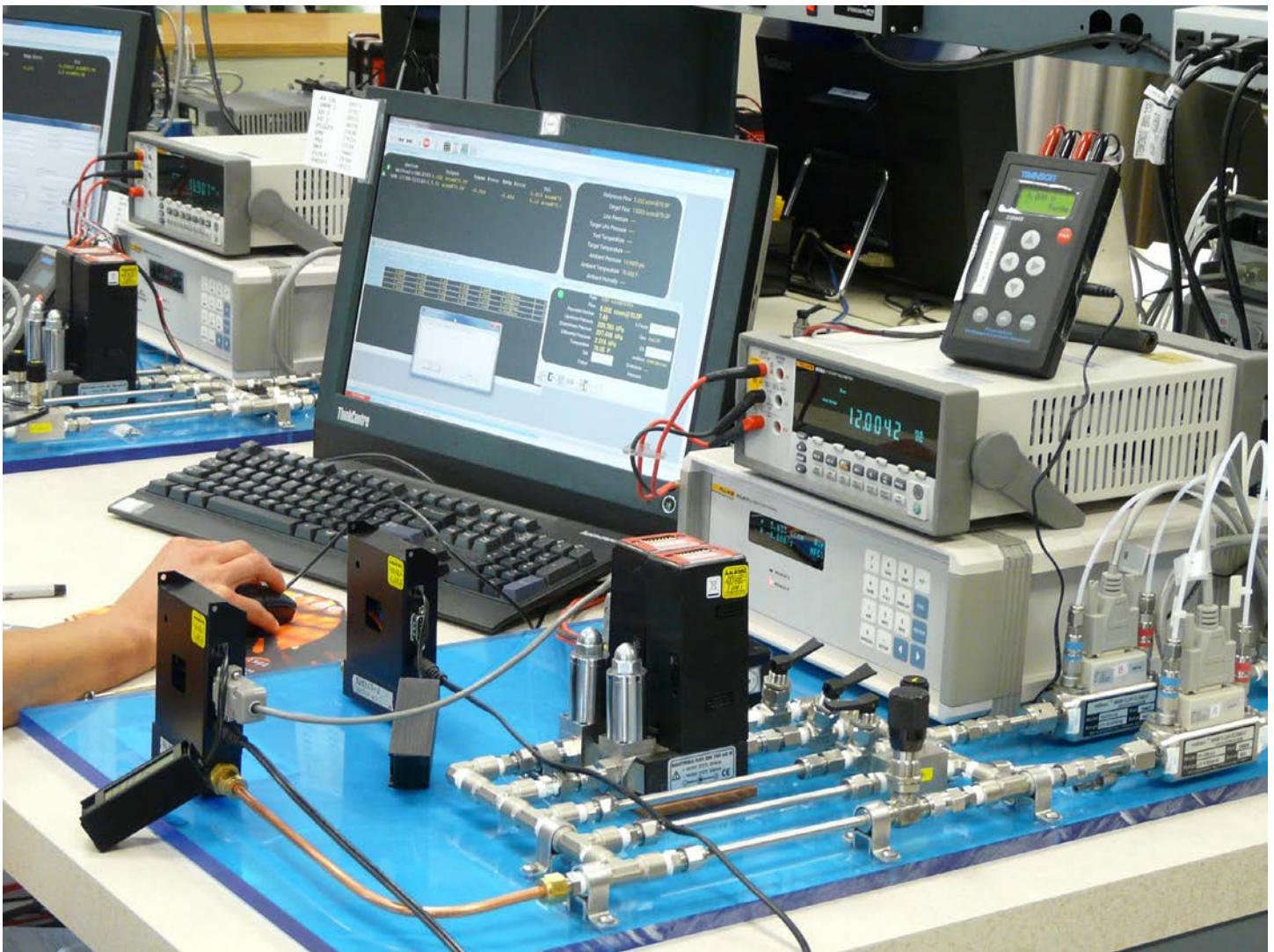
Partial view of the gas calibration laboratory.



Technicians calibrating Flow Controllers using Bell Provers and Molbox/Molblocs technology.



Close-up view of Molbox/Molblocs equipment supported by COMPASS software for calibrating GFM flow meters.



Link for an explanation how to use Molbox/Molblocs method of calibrations of Flow Meters and Controllers.

<http://www.youtube.com/watch?v=FVDqrW5y70A>

Pressure Limits Of Calibrations

Up to 500 PSIG for routine gases (Air, N₂, He and Ar) with a maximum flow of 250 L/min. Up to 80 PSIG for Air, with a maximum flow of 1000 L/min.

Customer calibrations are represented by primary SI flow units.

- Gas calibrations for up to 1000 L/min and water calibrations up to 4 L/min available.
- Calibrated to NIST traceable standards.



Bell prover used by technician in calibrating high flow capacity flow meter.



Terminal shown for low-flow Flow Controller calibration supported by Aalborg SDPROC software.

Piston Gauge, model 7601 with gas operated, gas lubricated piston-cylinder module. It supports definition of pressure against a vacuum reference.



OPERATING MODES: Gauge, Absolute and Differential.

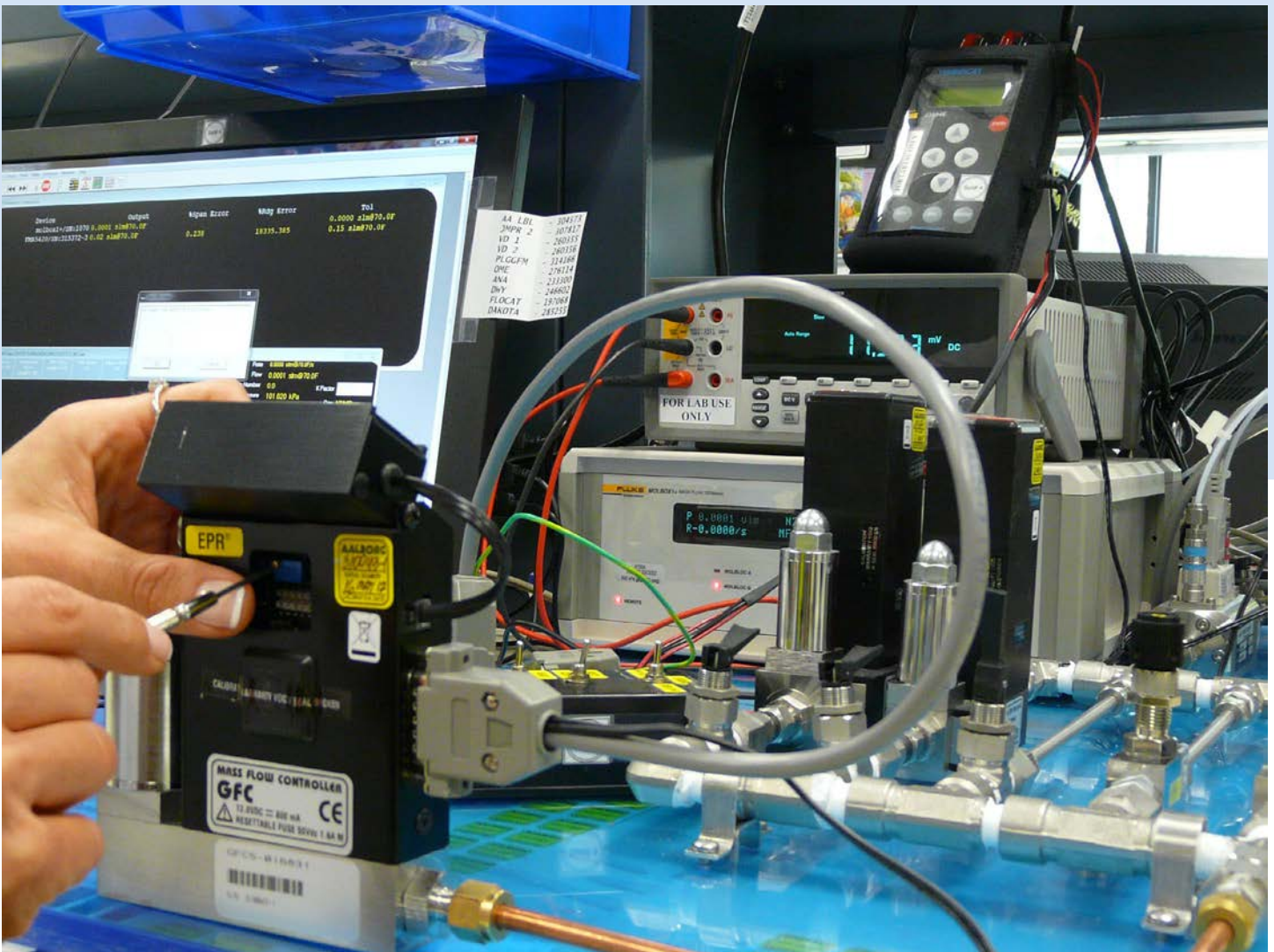
OVERALL SPECIFICATION FOR PRESSURE MEASUREMENT:

Sensitivity: 0.02Pa +0.5 ppm
 Reproducibility: +/-4 ppm
 Measurement Uncertainty (k=2): +/- (0.5Pa + 20 ppm)

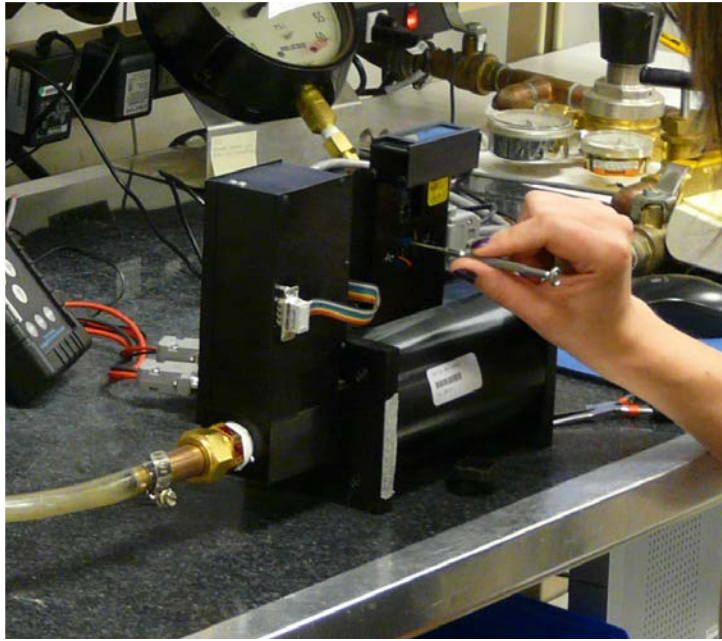
Suitable for Molbox 1+ A350/A700



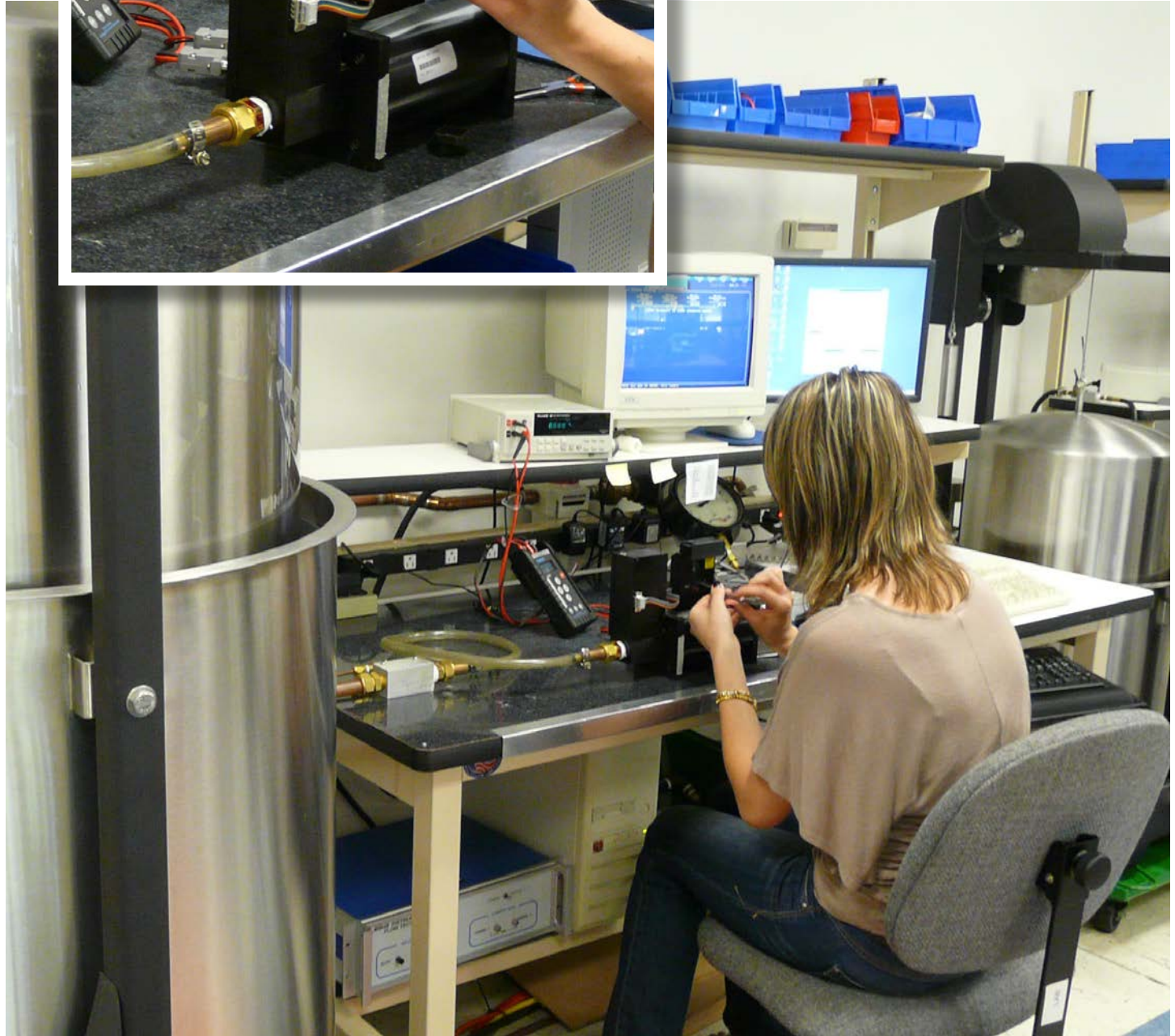
Our gas calibration laboratory has NIST traceable approved in-house equipment to certify our calibration devices. Molbox/Molblocs based calibration for GFC Flow Controller.



Our technicians are trained and certified and our Laboratory is equipped to calibrate Molboxes. In addition, our laboratory can calibrate NIST traceable approved “In-House” equipment to certify our primary calibration devices. We also calibrate and certify customers’ Molboxes. For fast cost effective service please contact our customer service department.



Gas flow calibration laboratory is capable of performing calibrations from 1 mL/min to 1000 L/min at 21.1 °C /101.325 kPa (70 °F, 14.69 PSI abs).



According to “state of the art” calibrating practices, calibrations are performed based on 4 to 1 uncertainty ratio.



Specialized software applied to calibration of Flow Meter.

**EUROPEAN
SERVICE
FACILITY**

Authorized Repair and Service Facility
for Aalborg Thermal Mass Flow Systems

**AALBORG - ANALYT-MTC
MESSTECHNIK GMBH**

Klosterrunsstraße 18 P.O. Box 1321
Müllheim D-79379 Germany

Telefon: +49 (0)7631 5545
Fax: +49 (0)7631 14740
Website: www.analyt-mtc.de
e-mail: info@analyt-mtc.de

175, avenue d'Alsace
68000 COLMAR
Tel: 03 89 41 47 78
Fax: 03 89 41 59 88
e-mail: ANALYT_MTC@T-online.de

**ASIAN
SERVICE
FACILITY**

Authorized Repair and Service Facility
for Aalborg Thermal Mass Flow Systems

**AALBORG -Beijing Comity
MEASURE & CONTROL CO.**

Floor 1 Tower B Jindayuan Office Building
Xisanqi, Hai Dian District, Beijing, China

Phone: 86-10-6295-0464, 86-10-6295-0465
Fax: 86-10-6295-0466
Website: <http://www.comity-tec.com>



**Typical Bell Prover
used for NIST traceable calibrations**





Accredited Laboratory

A2LA has accredited

**AALFA - KAL METROLOGY LABORATORY,
DIVISION OF AALBORG INSTRUMENTS & CONTROLS, INC.**
Orangeburg, NY

for technical competence in the field of

Calibration

This laboratory is accredited in accordance with the recognized International Standard ISO/IEC 17025:2005 *General requirements for the competence of testing and calibration laboratories*. This laboratory also meets the requirements of ANSI/NCSL Z540-1-1994 and R205 – Specific Requirements: Calibration Laboratory Accreditation Program. This accreditation demonstrates technical competence for a defined scope and the operation of a laboratory quality management system (refer to joint ISO-ILAC-IAF Communiqué dated April 2017).



Presented this 26th day of April 2018.

President and CEO
For the Accreditation Council
Certificate Number 3989.01
Valid to April 30, 2020

For the calibrations to which this accreditation applies, please refer to the laboratory's Calibration Scope of Accreditation.



American Association for Laboratory Accreditation



Has Attended the

ISO/IEC 17025 and Accreditation Course

- ISO 17025
- Documentation
- Internal Auditing

Sponsored by the

American Association for Laboratory Accreditation

Scottsdale, AZ
1.5 CEUS Awarded
February 29-March 2, 2012

Dawn Mettler
Consultant



SCOPE OF ACCREDITATION TO ISO/IEC 17025:2005
& ANSI/NCSL Z540-1-1994

AALFA - KAL METROLOGY LABORATORY,
DIVISION of AALBORG INSTRUMENTS & CONTROLS, INC.
20 Corporate Dr.
Orangeburg, NY 10962
Mr. Stefan Radecki Phone: 845 770 3000

CALIBRATION

Valid To: April 30, 2020

Certificate Number: 3989.01

In recognition of the successful completion of the A2LA evaluation process, accreditation is granted to this laboratory to perform the following calibrations¹:

I. Fluid Quantities

Parameter	Range	CMC ^{2,3} (±)	Comments
Flow – Gas	Up to 20 SCCM	0.18 %	DHI Molbox-1 (Air, He, Arg, CO ₂ , O ₂ , N ₂)
	(8 to 100) SCCM	0.18 %	
	(16 to 200) SCCM	0.18 %	
	(32 to 400) SCCM	0.18 %	
	(80 to 1000) SCCM	0.18 %	
	(160 to 2000) SCCM	0.18 %	
	(800 to 10 000) SCCM	0.18 %	
	(1600 to 20 000) SCCM	0.19 %	
	(4000 to 50 000) SCCM	0.27 %	

¹ This laboratory offers commercial calibration services.

² Calibration and Measurement Capability Uncertainty (CMC) is the smallest uncertainty of measurement that a laboratory can achieve within its scope of accreditation when performing more or less routine calibrations of nearly ideal measurement standards or nearly ideal measuring equipment. CMCs represent expanded uncertainties expressed at approximately the 95 % level of confidence, usually using a coverage factor of $k=2$. The actual measurement uncertainty of a specific calibration performed by the laboratory may be greater than the CMC due to the behavior of the customer's device and to influences from the circumstances of the specific calibration.

³ In the statement of CMC, percentages represent the percent of reading unless otherwise noted.

Design Features

- Rigid metallic construction.
- Maximum pressure of 1000 psig (70 bars).
- Leak integrity 1×10^{-9} of helium.
- NIST traceable certification.
- Built-in tiltable LCD readout.
- 0-5 Vdc and 4-20 mA signals.
- Circuit protection.
- Can be used as a portable device.
- Engineering units or 0 to 100% displays.
- TIO Totalizer option.

Typical Aluminum GFM Mass Flow Meter



Principles of Operation

Metered gases are divided into two laminar flow paths, one through the primary flow conduit, and the other through a capillary sensor tube. Both flow conduits are designed to ensure laminar flows and therefore the ratio of their flow rates is constant.

Two precision temperature sensing windings on the sensor tube are heated, and when flow takes place, gas carries heat from the upstream to the downstream windings. The resultant temperature differential is proportional to the change in resistance of the sensor windings.

A Wheatstone bridge design is used to monitor the temperature dependent resistance gradient on the sensor windings which is linearly proportional to the instantaneous rate of flow.

Output signals of 0 to 5Vdc and 4 to 20mA are generated indicating mass molecular based flow rates of the metered gas.

Flow rates are unaffected by temperature and pressure variations within stated limitations.

General Description

Compact, self-contained GFM mass flow meters are designed to read flow rates of gases. The rugged design coupled with instrumentation grade accuracy provides versatile and economical means of flow measurement.

Aluminum or stainless steel models with readout options of either engineering units (standard) or 0 to 100 percent displays are available.

The mechanical layout of the design includes an LCD readout built into the top of the transducer. This readout module is tiltable over 90 degrees to provide optimal reading comfort. It is connected to the transducer by a standard modular plug, and is also readily removable for remote reading installations.

GFM 57, 67 and 77
High Flow Mass Flow Meters



TABLE 1 - SPECIFICATIONS FOR GFM

ACCURACY:	GFM 17, 37 and 47: ±1.0% of full scale. GFM 57, 67 and 77: ±1.5% of full scale. OPTIONAL ENHANCED ACCURACY: ±1.0% of full scale.
CALIBRATIONS:	Performed at standard conditions [14.7 psia (101.4 kPa) and 70 °F (21.1 °C)] unless otherwise requested.
REPEATABILITY:	±0.25% of full scale.
RESPONSE TIME:	Generally 2 seconds to within ±2% of actual flow rate over 25 to 100% of full scale.
TEMPERATURE COEFFICIENT:	0.15% of full scale / °C.
PRESSURE COEFFICIENT:	0.01% of full scale / psi (0.07 bar).
MAXIMUM PRESSURE DROP:	See Table 3.
GAS AND AMBIENT TEMP.:	Gas: 32 °F to 122 °F (0 °C to 50 °C). Ambient: 14 °F to 122 °F (-10 °C to 50 °C) - Dry gases only.
OUTPUT SIGNALS:	Linear 0-5 Vdc. 1000 ohms min. load impedance and 4-20 mA 0-500 Ohms loop resistance.
TRANSDUCER INPUT POWER:	Universal +12 to +26 Vdc, 200 mA maximum.
TIME CONSTANT:	800 ms.
GAS PRESSURE:	1000 psig (70 bars) maximum GFM 17, 37, 47. 20 psig (1.4 bars) optimum. 500 psig (34.5 bars) GFM 57, 67, 77. 20 psig (1.4 bars) optimum.
** MATERIALS IN FLUID CONTACT:	a. Aluminum models GFM Series: anodized aluminum, 316 stainless steel, brass and FKM O-rings. b. Stainless steel models GFM17S, 37S,47S, 57S, 67S and 77S: 316 stainless steel and FKM O-rings. Optional O-rings: Buna®, EPR and FFKM.
ATTITUDE SENSITIVITY:	No greater than +15 degree rotation from horizontal to vertical; standard calibration is in horizontal position.
CONNECTIONS:	GFM 17: 1/4" compression fittings. Optional: 6mm, 3/8" and 1/8" compression fittings or 1/4" VCR®. GFM 37: 1/4" compression fittings. Optional: 6mm and 3/8" compression fittings or 1/4" VCR®. GFM 47: 3/8" compression fittings. GFM 57: 3/8" compression fittings. GFM 67: 1/2" compression fittings. GFM 77: 3/4" FNPT fittings or 3/4" compression fittings.
LEAK INTEGRITY:	1 x 10 ⁻⁹ sML/sec of helium maximum to the outside environment.
CE COMPLIANT:	EN 55011 class 1, class B; EN50082-1.

** The selection of materials of construction, is the responsibility of the customer. The company accepts no liability.

Transducers without LCD readout are offered for OEM applications.

GFM mass flow meters are available with flow ranges from 10 mL/min to 1000 L/min N₂. Gases are connected by means of 1/4", 3/8", 1/2" compression fittings and 3/4" FNPT fittings. Optional fittings are available. These meters may be used as bench top units or mounted by means of screws in the base.

Transducer power supply ports are fuse and polarity protected.

TABLE 2 - FLOW RANGES FOR GFM

GFM 17 LOW FLOW MASS FLOW METERS	
CODE	mL/min [N ₂]
01	0 to 10
02	0 to 20
03	0 to 50
04	0 to 100
05	0 to 200
06	0 to 500
CODE	L/min [N ₂]
07	0 to 1
08	0 to 2
09	0 to 5
10	0 to 10
GFM 37 MEDIUM FLOW MASS FLOW METERS	
11	0 to 15
30	0 to 20
31	0 to 30
32	0 to 40
33	0 to 50
GFM 47 HIGH FLOW MASS FLOW METERS	
40	0 to 60
41	0 to 80
42	0 to 100
GFM 57 HIGH FLOW MASS FLOW METERS	
50	0 to 200
GFM 67 HIGH FLOW MASS FLOW METERS	
60	0 to 500
GFM 77 HIGH FLOW MASS FLOW METERS	
70	0 to 1000

Leak Integrity

1 x 10⁻⁹ sml/sec of helium max to outside environment.

TABLE 3 - MAXIMUM PRESSURE DROP FOR GFM

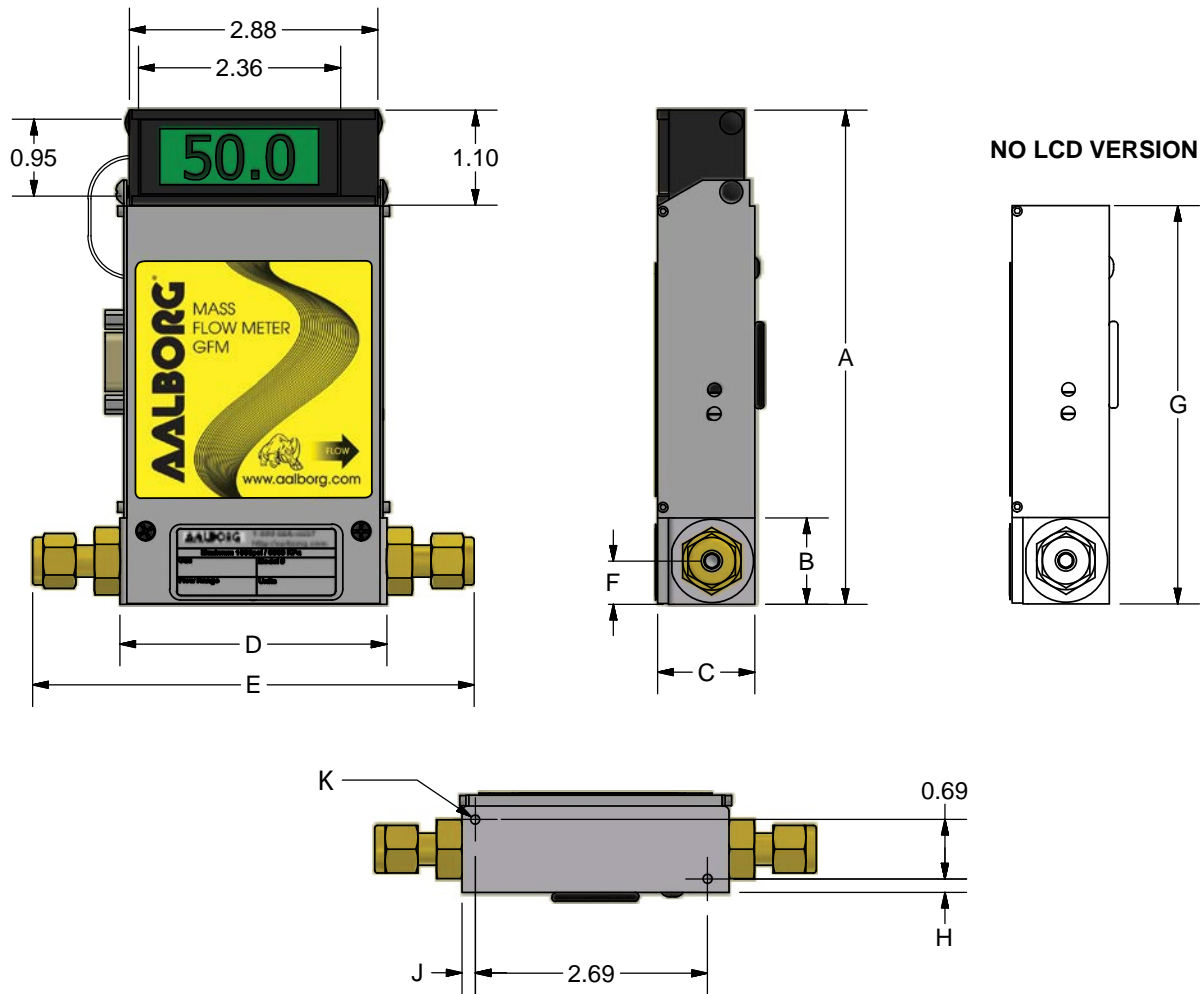
MODEL	FLOW RATE [N ₂] [liters/min]	MAXIMUM PRESSURE DROP		
		[mm H ₂ O]	[psid]	[mbar]
GFM 17	up to 10	25	0.04	2.5
	20	300	0.44	30
	30	800	1.18	81
GFM 37	40	1480	2.18	150
	50	2200	3.23	223
	60	3100	4.56	314
	80	4422	6.5	448
GFM 47	100	5500	8.08	557
	200	2720	4.0	280
GFM 57	500	3400	5.0	340
GFM 77	1000	6120	9.0	620

TABLE 4 - ACCESSORIES FOR GFM

POWER SUPPLY - BATTERY PACK - CABLES	
PS-GFM-110NA-2	Power Supply, 110 V / 12 Vdc /North America
PS-GFM-110NA-4	Power Supply, 110 V / 24 Vdc /North America
PS-GFM-230EU-2	Power Supply, 220 V / 12 Vdc /Europe
PS-GFM-230EU-4	Power Supply, 220 V / 24Vdc /Europe
PS-GFM-240UK-2	Power Supply 240 V / 12 Vdc /United Kingdom
PS-GFM-240UK-4	Power Supply 240 V / 24 Vdc /United Kingdom
PS-GFM-240AU-2	Power Supply 240 V / 12 Vdc /Australia
PS-GFM-240AU-4	Power Supply 240 V / 24 Vdc /Australia
BP110	Battery Pack, 110 V (includes case)
BP220	Battery Pack, 220 V (includes case)
CBL-D4	Cable with 9-pin D-connector, (4 - 20 mA)
CBL-D5	Cable with 9-pin D-connector, (0 to 5 Vdc)
17/3RC	17/3RC Remote cable, 3 ft long
17/R	17/R Remote LCD readout with 3 ft long cable
TIO-LAA2	Totalizer I/O Monitor, RS-232 Digital Interface
TIO-LAA5	Totalizer I/O Monitor, RS-485 Digital Interface
KIT-TM-DD	GFM Flow Meter Mounting Kit with Two 9 Pin D-Connectors

For Totalizer Input/ Output Flow Monitor/ Controller options see page 55.

GFM 17, 37 and 47 Mass Flow Meters



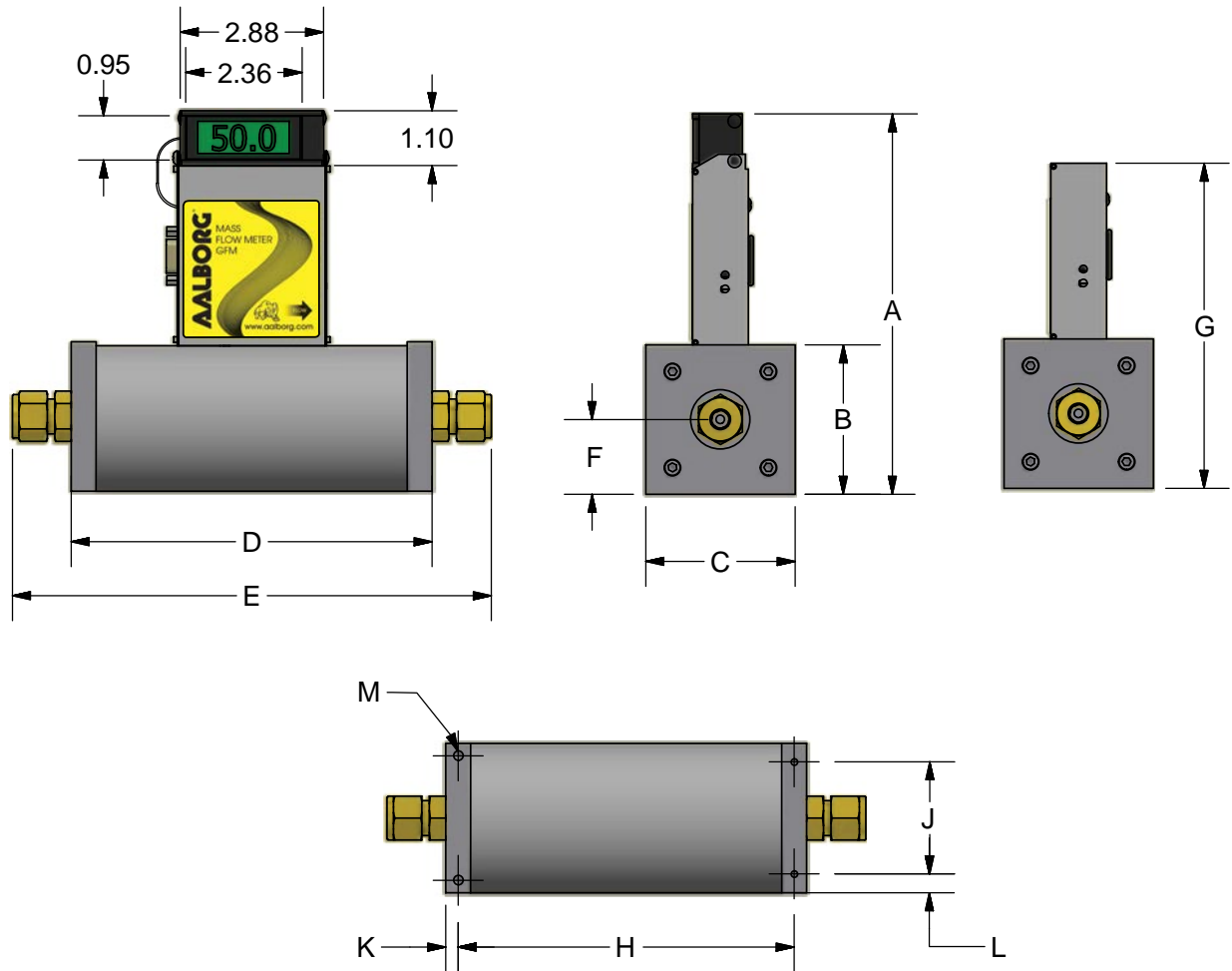
NOTE: Aalborg® reserves the right to change designs and dimensions at its sole discretion at any time without notice. For certified dimensions please contact Aalborg®.

TABLE 5 - DIMENSIONS FOR GFM 17, 37 AND 47 MODELS

MODEL	CONNECTION COMPRESSION FITTING	DIMENSION INCH (MM)										
		LCD VERSION						NO LCD	MOUNTING HOLE			
		A	B	C	D	E	F		H	J	K	
GFM 17	1/4" Tube O Diameter	5.72 (145.3)	1.00 (25.4)	1.13 (28.6)	3.09 (78.6)	5.10 (129.6)	0.5 (12.7)	4.61 (117.1)	0.16 (4.0)	0.16 (4.0)	6-32 x 0.13	
GFM 37	1/4" Tube O Diameter	6.10 (154.9)	1.38 (34.9)	1.25 (31.8)	4.13 (104.8)	6.13 (155.8)	0.63 (15.9)	4.99 (126.7)	0.28 (7.1)	1.08 (27.3)	6-32 x 0.10	
GFM 47	3/8" Tube O Diameter	6.10 (154.9)	1.38 (34.9)	1.25 (31.8)	4.13 (104.8)	6.25 (158.7)	0.63 (15.9)	4.99 (126.7)	0.28 (7.1)	1.08 (27.3)	6-32 x 0.10	

For Specific Flow Ranges Contact Aalborg Customer Service Department.

GFM 57, 67 and 77 Mass Flow Meters



NOTE: Aalborg® reserves the right to change designs and dimensions at its sole discretion at any time without notice. For certified dimensions please contact Aalborg®.

TABLE 6 - DIMENSIONS FOR GFM 57, 67 AND 77 MODELS

MODEL	CONNECTION COMPRESSION FITTING (except model GFM 77)	DIMENSION (INCH)											
		LCD VERSION						NO LCD	MOUNTING HOLE				
		A	B	C	D	E	F	G	H	J	K	L	M
GFM 57	3/8" Tube O Diameter	6.73 (170.8)	2.00 (80.8)	1.75 (44.5)	6.69 (169.8)	8.81 (223.7)	0.88 (22.2)	5.62 (142.6)	4.69 (119.0)	1.39 (35.3)	1.00 (25.4)	0.18 (4.6)	10-24 x 0.25
GFM 67	1/2" Tube O Diameter	7.64 (194.0)	3.00 (76.2)	3.00 (76.2)	7.25 (184.2)	9.65 (245.1)	1.5 (38.1)	6.53 (165.8)	6.75 (171.5)	2.25 (57.2)	0.25 (6.4)	0.38 (9.5)	1/4-20 x 0.35
GFM 77	3/4" NPT Female	8.66 (220.0)	4.00 (101.6)	4.00 (101.6)	7.30 (185.4)	-	2.00 (50.8)	7.55 (191.8)	6.80 (172.7)	3.00 (76.2)	0.25 (6.4)	0.50 (12.7)	1/4-20 x 0.35

For Specific Flow Ranges Contact Aalborg Customer Service Department.

Configure and Order Online: [GFM Mass Flow Meter](#)

GFM	MODEL									
MAX FLOW (N ₂)										
17	10 L/min									
37	50 L/min									
47	100 L/min									
57	200 L/min									
67	500 L/min									
77	1000 L/min									
MATERIAL										
A	Aluminum									
S	Stainless Steel									
SEALS										
V	FKM									
B	Buna®									
E	EPR									
T	FFKM									
FITTINGS										
A	1/4" Compression	GFM 17, 37								
B	1/8" Compression	GFM 17								
C	1/4" VCR®	GFM 17, 37								
D	3/8" Compression	GFM 17, 37, 47, 57								
E	1/2" Compression	GFM 67								
F	3/4" FNPT	GFM 77								
G	3/4" Compression	GFM 77								
H	6mm Compression	GFM 17, 37								
DISPLAY										
N	No Display									
L	LCD Readout									
POWER										
6	Universal +12 to +26 Vdc									
OUTPUT SIGNAL										
A	0-5 Vdc									
B	4-20 mA									
DIGITAL INTERFACE										
0	None									
GFM	17	S	-	V	A	L	6	-	A	0

EXAMPLE: GFM17S-VAL6-A0 5 L/min [N₂] 20 psig

SPECIFY: Flow Range, Gas and Pressure *n.a. = not applicable.

GFM17 stainless steel, FKM seals, 1/4" compression fittings, display, 12 to 26 Vdc power, 0-5 Vdc, output signal, no digital interface.

Design Features

- Supports up to 23 Engineering Units (including User Defined).
- Stores calibration data for up to 10 gases.
- Programmable Totalizer indicates total gas quantity.
- High and low gas flow Alarm limits with preset delay interval.
- Two sets of user-programmable electromechanical SPDT relays with latch option.
- User-selectable analog 0-5 Vdc or 4-20mA outputs.
- Internal Conversion factors for up to 32 gases.
- Digital Interface (RS-232 / RS-485, Profibus DP available).
- Multi-Drop Capability of up to 256 units (RS-485 option).
- Optional Profibus DP interface with I&M functionality.
- Automatic sensor zero offset adjustment (via digital interface or local push button).
- Self-Diagnostic Tests.
- Local 2 x 16 characters LCD display* with adjustable back light (optional).



* LCD display is not available for Profibus DP interface option.

XFM Digital Mass Flow Meters

The flow rate can be displayed in 23 different volumetric flow or mass flow engineering units including user specific. Flow meters can be programmed remotely via RS-232 /RS-485 or optional Profibus DP interface.

XFM flow meters support various functions including: programmable flow totalizer, high and low flow alarm, automatic zero adjustment, 2 relay outputs, jumper selectable 0-5 Vdc or 4-20 mA analog outputs, status LED diagnostic, capable to store calibration for up to 10 different gases, internal or user-specific K-factors. Optional local 2 x 16 characters LCD display* with adjustable back light provides Flow, Total and diagnostic reading simultaneously.

Principle Of Operation

The stream of gas entering the Mass Flow transducer is split by shunting a small portion of the flow through a capillary stainless steel sensor tube. The remainder of the gas flows through the primary flow conduit. The geometry of the primary conduit and the sensor tube are designed to ensure laminar flow in each branch. According to principles of fluid dynamics, the flow rates of a gas in the two laminar flow conduits are proportional to one another. Therefore, the flow rates measured in the sensor tube are directly proportional to the total flow through the transducer. In order to sense the flow in the sensor tube, heat flux is introduced at two sections of the sensor tube by means of precision-wound heater sensor coils. Heat is transferred through the thin wall of the sensor tube to the gas flowing inside. As gas flow takes place, heat is carried by the gas stream from the upstream coil to the downstream coil windings.

The resultant temperature dependent resistance differential is detected by the electronic control circuit. The measured temperature gradient at the sensor windings is linearly proportional to the instantaneous rate of flow taking place. An output signal is generated that is a function of the amount of heat carried by the gases to indicate mass molecular based flow rates. Additionally, the XFM model Mass Flow Meter incorporates a Precision Analog Microcontroller (ARM7TDMI® MCU) and non-volatile memory that stores all hardware specific variables and up to 10 different calibration tables.

* LCD display is not available for Profibus DP interface option.

Interface

The digital RS485 or RS-232 interface (optional Profibus DP interface is available) provides access to applicable internal data including: flow, CPU temperature, auto zero, totalizer and alarms settings, gas table, conversion factors and engineering units selection, dynamic response compensation and linearization table adjustment. The analog interface provides 0 to 5Vdc or 4 to 20 mA (jumper selectable) outputs for flow reading.

Auto Zero

The XFM supports automatic sensor zero offset adjustment which can be activated locally via the maintenance push button or remotely via digital interface. The auto zero feature necessitates a condition of absolutely no flow through the meter during the adjustment process. Provisions are made to either start, read, or save the current auto zero value via digital commands.

Totalizer

The total volume of the gas is calculated by integrating the actual gas flow rate as a function of time.

THE DIGITAL INTERFACE COMMANDS ARE PROVIDED TO:

- SET THE TOTALIZER TO ZERO.
- START THE TOTALIZER AT A PRESET FLOW.
- ASSIGN ACTION AT A PRESET TOTAL VOLUME.
- START/STOP TOTALIZING THE FLOW.
- READ TOTALIZER.

Totalizer conditions become true when the totalizer reading and the "Stop at Total" volumes are equal. In addition, the provision is made to automatically disable Totalizer during sensor warm up period.

Flow Alarm

High and Low gas flow ALARM limits can be preprogrammed via digital interface. ALARM conditions become true when the current flow reading is equal or higher/lower than corresponding values of high and low alarm levels. Alarm action can be assigned with preset delay interval (0-3600 seconds) to activate the contact closer (separate for High and Low alarm). Latch Mode control feature allows each relay to be latched on or follow the corresponding alarm status.

TABLE 7 - SPECIFICATIONS

FLOW MEDIUM:	Please note that XFM Mass Flow Meters are designed to work only with clean gases. Never try to measure flow rates of liquids with any XFM.
CALIBRATIONS:	Performed at standard conditions [14.7 psia (101.4 kPa) and 70 °F (21.1 °C)] unless otherwise requested.
ENVIRONMENTAL (PER IEC 664):	Installation Level II; Pollution Degree II.
FLOW ACCURACY	±1% of FS at calibration temperature and pressure.
REPEATABILITY:	±0.15% of full scale.
FLOW TEMPERATURE COEFFICIENT:	0.15% of full scale/ °C or better.
FLOW PRESSURE COEFFICIENT:	0.01% of full scale/psi (6.895 kPa) or better.
FLOW RESPONSE TIME:	600ms time constant; approximately 2 seconds to within ±2% of set flow rate for 25% to 100% of full scale flow.
MAXIMUM GAS PRESSURE:	XFM07/17/37/47: 1000 psig (6894 kPa gage) XFM57/67/77: 500 psig (3447 kPa gage)
MAXIMUM PRESSURE DROP:	0.18 PSID (at 10 L/min flow). 4 psi (at 50 L/min flow). See Table 10 for pressure drops associated with various models and flow rates.
GAS AND AMBIENT TEMPERATURE:	32 °F to 122 °F (0 °C to 50 °C). 14 °F to 122 °F (-10 °C to 50 °C) - Dry gases only.
RELATIVE GAS HUMIDITY:	Up to 70%.
LEAK INTEGRITY:	1 x 10 ⁻⁹ smL/sec He maximum to the outside environment.
ATTITUDE SENSITIVITY:	Deviation of up to 1% from stated accuracy, after re-zeroing.
OUTPUT SIGNALS:	Linear 0-5 Vdc (3000 ohms min load impedance); Linear 4-20 mA (500 ohms maximum loop resistance). Maximum noise 20mV peak to peak (for 0-5 Vdc output).
CONNECTIONS:	XFM 07: 1/8" compression fittings. Optional: 1/4" compression fittings. XFM 17: 1/4" compression fittings. Optional: 1/8", 3/8", 6 mm compression fittings, 1/4" VCR. XFM 37: 1/4" compression fittings. Optional: 3/8", 6 mm compression fittings, 1/4" VCR. XFM 47: 3/8" compression fittings. XFM 57: 3/8" compression fittings. XFM 67: 1/2" compression fittings. XFM 77: 3/4" FNPT. Optional: 3/4" compression fittings.
TRANSDUCER INPUT POWER:	11 to 26 Vdc, 100 mV maximum peak to peak output noise. Power consumption: +12Vdc (200 mA maximum); +24Vdc (100 mA maximum); Circuit board have built-in polarity reversal protection, 300mA resettable fuse provide power input protection.
** FLUID CONTACT:	Aluminum Models: Anodized aluminum, brass, 316 stainless steel, FKM O-rings. Stainless Steel Models: 316 stainless steel, FKM O-rings. Optional O-ring Materials: Buna-N®, EPR® (Ethylene Propylene), or FFKM.
CAUTION:	Aalborg makes no expressed or implied guarantees of corrosion resistance of mass flow meters as pertains to different flow media reacting with components of meters. It is the customers' sole responsibility to select the model suitable for a particular gas based on the fluid contacting (wetted) materials offered in the different models.
DISPLAY:	*Optional local 2x16 characters LCD with adjustable backlight (2 lines of text).
CALIBRATION OPTIONS:	Standard is one 10 points NIST traceable calibration. Optional, up to 9 additional calibrations may be ordered at additional charge.
CE COMPLIANCE:	EMC Compliance with 89/336/EEC as amended. Emission Standard: EN 55011:1991, Group 1, Class A Immunity Standard: EN 55082-1:1992.

* LCD display is not available for Profibus DP interface option.

**The selection of materials of construction, is the responsibility of the customer. The company accepts no liability.

Multi-Gas Calibration

The XFM is capable of storing primary calibration data for up to 10 gases. This feature allows the same XFM to be calibrated for multiple gases while maintaining the rated accuracy on each.

Conversion Factors

Conversion factors for up to 32 gases are stored in the XFM. In addition, provision is made for a user-defined conversion factor. Conversion factors may be applied to any of the ten gas calibrations via digital interface commands.

Contact Closure

Two sets of electromechanical SPDT relay outputs are provided to actuate user-supplied equipment.

These are programmable via digital interface such that the relays can be made to switch when a specified event occurs (e.g. when a low or high flow alarm limit is exceeded or when the totalizer reaches a specified value) or may be directly controlled by user.

TABLE 8 - STANDARD FLOW CAPACITIES FOR XFM

XFM 07	XFM 17	XFM 37	XFM 47	XFM 57	XFM 67	XFM 77
mL/min [N ₂]	L/min [N ₂]	L/min [N ₂]	L/min [N ₂]	L/min [N ₂]	L/min [N ₂]	L/min [N ₂]
5	1	20	60	200	500	1000
10	2	30	80			
20	5	40	100			
50	10	50				
100						
200						
500						

TABLE 9 - MAXIMUM PRESSURE DROP FOR XFM

MODEL	FLOW RATE [liters/min]	MAXIMUM PRESSURE DROP		
		[mm H ₂ O]	[psid]	[kPa]
XFM 07	up to 0.5			
XFM 17	up to 10	130	0.18	1.275
XFM 37	up to 50	2722	3.8	26.2
XFM 47	up to 100	1974	11.8	81.4
XFM 57	up to 200			
XFM 67	up to 500			
XFM 77	up to 1000			

Leak Integrity

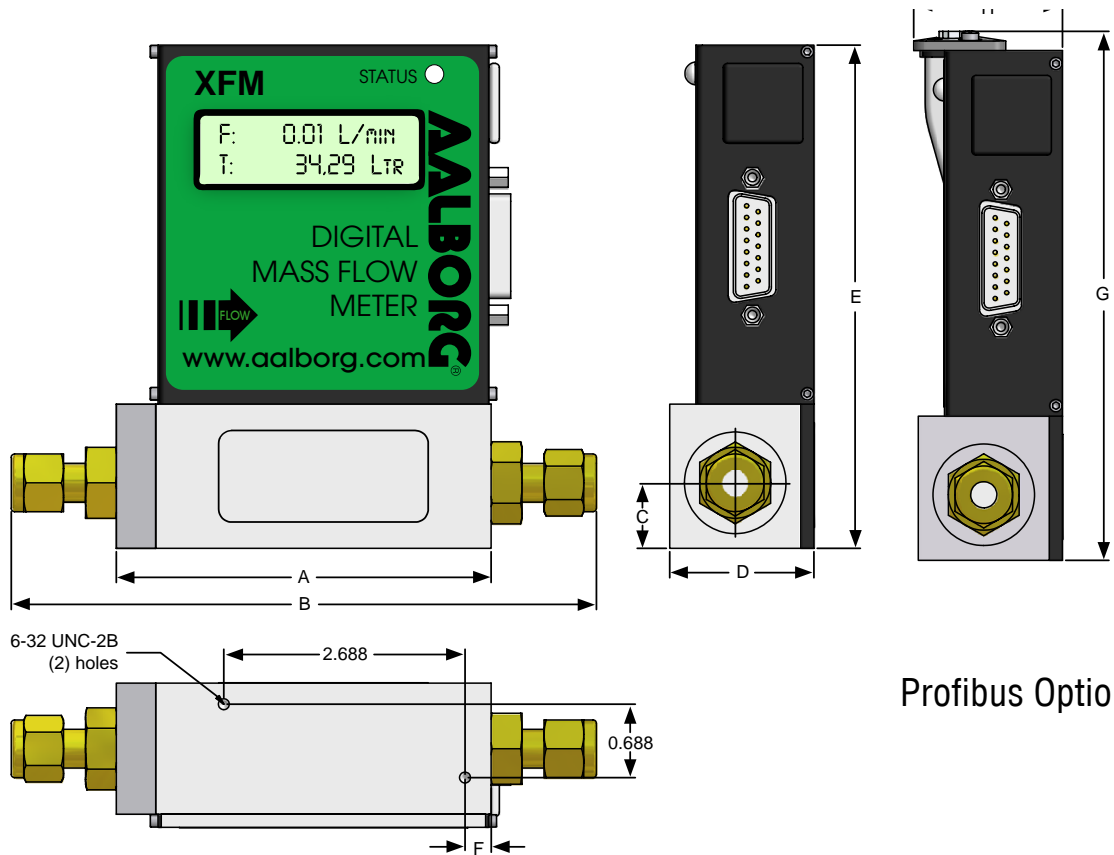
1 x 10⁻⁹ smL/sec of Helium maximum to the outside environment.

Engineering Units

The measured gas flow and associated totalizer data are scaled directly in engineering units via the digital interface.

THE FOLLOWING 23 UNITS OF MEASURE ARE SUPPORTED:

TABLE 10 - UNITS OF MEASURE FOR XFM				
NUMBER	INDEX	FLOW RATE ENGINEERING UNITS	TOTALIZER ENGINEERING UNITS	DESCRIPTION
1	0	%	%s	Percent of full scale
2	1	mL/sec	mL	Milliliter per second
3	2	mL/min	mL	Milliliter per minute
4	3	mL/hr	mL	Milliliter per hour
5	4	L/sec	Ltr	Liter per second
6	5	L/ min	Ltr	Liter per minute
7	6	L/hr	Ltr	Liter per hour
8	7	m ³ /sec	m ³	Cubic meter per second
9	8	m ³ / min	m ³	Cubic meter per minute
10	9	m ³ /hr	m ³	Cubic meter per hour
11	10	ft ³ /sec	f ³	Cubic feet per second
12	11	ft ³ /min	f ³	Cubic feet per minute
13	12	ft ³ /hr	f ³	Cubic feet per hour
14	13	g/sec	g	Grams per second
15	14	g/min	g	Grams per minute
16	15	g/hr	g	Grams per hour
17	16	kg/sec	kg	Kilograms per second
18	17	kg/min	kg	Kilograms per minute
19	18	kg/hr	kg	Kilograms per hour
20	19	Lb/sec	Lb	Pounds per second
21	20	Lb/min	Lb	Pounds per minute
22	21	Lb/hr	Lb	Pounds per hour
23	22	User	UD	User defined



Profibus Option

NOTE: Aalborg® reserves the right to change designs and dimensions at its sole discretion at any time without notice. For certified dimensions please contact Aalborg®.

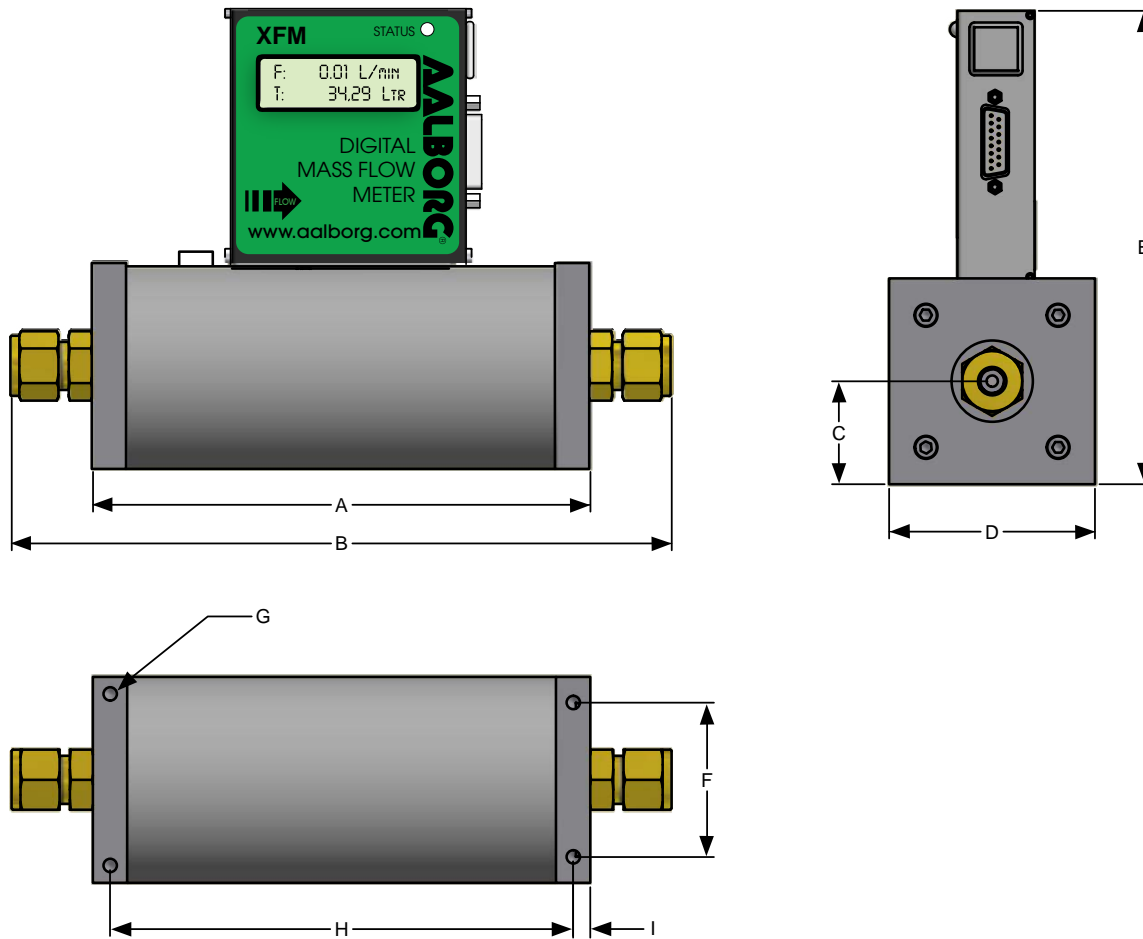
TABLE 11 - DIMENSIONS FOR XFM [INCH]

MODEL	*CONNECTION Compression Fitting (tube OD)	LCD and NO LCD VERSIONS						PROFIBUS CAPABILITY	
		A	B	C	D	E	F	H	I
XFM 07	1/4"	3.09	5.11	0.50	1.13	4.99	0.16	1.41	5.22
XFM 17	1/4"	3.09	5.11	0.50	1.13	4.99	0.16	1.41	5.22
XFM 37	1/4"	4.13	6.14	0.63	1.25	5.36	0.36	1.45	5.60
XFM 47	3/8"	4.13	6.25	0.63	1.25	5.36	0.36	1.45	5.60

TABLE 12 - DIMENSIONS FOR XFM [MM]

MODEL	*CONNECTION Compression Fitting (tube OD)	LCD and NO LCD VERSIONS						PROFIBUS CAPABILITY	
		A	B	C	D	E	F	H	I
XFM 07	1/4"	78.6	129.7	12.7	28.6	126.6	4.0	35.9	132.6
XFM 17	1/4"	78.6	129.7	12.7	28.6	126.6	4.0	35.9	132.6
XFM 37	1/4"	104.8	156.0	15.9	31.8	142.4	9.2	38.6	142.4
XFM 47	3/8"	104.8	158.8	15.9	31.8	142.4	9.2	38.6	142.4

For optional fittings see ordering information.



NOTE: Aalborg® reserves the right to change designs and dimensions at its sole discretion at any time without notice. For certified dimensions please contact Aalborg®.

TABLE 13 - DIMENSIONS FOR XFM [INCH]

MODEL	*CONNECTION Compression Fitting (tube OD)	LCD and NO LCD VERSIONS								TABLE MOUNTING HOLES
		A	B	C	D	E	F	H	I	
XFM 57	3/8"	6.69	8.81	0.88	1.75	5.99	1.39	4.69	1.00	10-24 UNC
XFM 67	1/2"	7.25	9.62	1.50	3.00	6.90	2.25	6.75	0.25	1/4-20 UNC
XFM 77	3/4"	7.25	-	2.00	4.00	7.92	3.00	6.75	0.25	1/4-20 UNC

TABLE 14 - DIMENSIONS FOR XFM [MM]

MODEL	*CONNECTION Compression Fitting (tube OD)	LCD and NO LCD VERSIONS								TABLE MOUNTING HOLES
		A	B	C	D	E	F	H	I	
XFM 57	3/8"	169.8	223.7	22.2	44.5	152.0	35.3	119.0	25.4	10-24 UNC
XFM 67	1/2"	184.2	244.3	38.1	76.2	175.2	57.2	171.4	6.4	1/4-20 UNC
XFM 77	3/4"	184.2	-	50.8	101.6	201.2	76.2	171.4	6.4	1/4-20 UNC

TABLE 15 - XFM ACCESSORIES

CBL-XFM	D-SUB F 15 pins connector with two 6 feet long branches with stripped ends for user supplied power supply and digital communication interface (no support for analog interface and relays). This cable is included with each instrument.
CBL-DGS	D-SUB F 15 pins connector with 6 feet long shielded cable (stripped ends). Can be used with user supplied power supply, allows access to all XFM peripherals. (Optional).
PS-XFM-110NA-2	Power Supply / cable assembly 110VAC NA PLUG 12Vdc with 6 feet long communication interface branch stripped ends (no support for analog interface and relays output). (Optional).
PS-XFM-110NA-2-A	Power Supply / cable assembly 110VAC NA PLUG 12Vdc with 6 feet long communication interface branch stripped ends with support for analog interface and relays output. (Optional).
PS-XFM-230EU-2	Power Supply / cable assembly 230VAC EU PLUG 12Vdc with 6 feet long communication interface branch stripped ends (no support for analog interface and relays output). (Optional).
PS-XFM-230EU-2-A	Power Supply / cable assembly 230VAC EU PLUG 12Vdc with 6 feet long communication interface branch stripped ends with support for analog interface and relays output. (Optional).
PS-XFM-240AU-2	Power Supply / cable assembly 240VAC AU PLUG 12Vdc with 6 feet long communication interface branch stripped ends (no support for analog interface and relays output). (Optional).
PS-XFM-240AU-2-A	Power Supply / cable assembly 240VAC AU PLUG 12Vdc with 6 feet long communication interface branch stripped ends with support for analog interface and relays output. (Optional).
PS-XFM-240UK-2	Power Supply / cable assembly 240VAC UK PLUG 12Vdc with 6 feet long communication interface branch stripped ends (no support for analog interface and relays output). (Optional).
PS-XFM-240UK-2-A	Power Supply / cable assembly 240VAC UK PLUG 12Vdc with 6 feet long communication interface branch stripped ends with support for analog interface and relays output. (Optional).

Configure and Order Online: [XFM Mass Flow Meter](#)

XFM	MODEL	
MAX FLOW (N ₂)		
07	0.5 L/min	
17	10 L/min	
37	50 L/min	
47	100 L/min	
57	200 L/min	
67	500 L/min	
77	1000 L/min	
MATERIAL		
A	Aluminum	
S	Stainless Steel	
SEALS		
V	FKM	
B	Buna®	
E	EPR	
T	PTFE / FFKM	
FITTINGS		
A	1/4" Compression	MODEL
B	1/8" Compression	XFM 07, 17, 37
C	1/4" VCR®	XFM 07, 17
D	3/8" Compression	XFM 17, 37, 47, 57
E	1/2" Compression	XFM 67
F	3/4" FNPT	XFM 77
G	3/4" Compression	XFM 77
H	6mm Compression	XFM 07, 17, 37
DISPLAY		
N	NO Display	
L	LCD Readout	
POWER		
6	Universal 11 to 26 Vdc	
OUTPUT SIGNAL		
A	0-5Vdc	
B	4-20mA	
DIGITAL INTERFACE		
2	RS232	
5	RS485	
9	PROFIBUS	

XFM 17 S — V A L 6 — A 2

EXAMPLE: XFM17S-VAL6-A2 5 L/min [N₂] 20 psig

SPECIFY: Flow Range, Gas and Pressure *n.a. = not applicable

XFM17 stainless steel, FKM seals, 1/4" compression fittings with LCD readout, 11 to 26 Vdc, 0-5 Vdc output signal with RS232 digital interface.



ZFM



Design Features

- Multi-gas/Multi-range functionality up to 8 bar (currently for 6 gases).
- Full scale covered flow ranges from 3.125 sml/min to 10 sL/min are available in seven models.
- Standard accuracy \pm (0.5% RD + 0.2% FS) based on actual calibration.
- Universal 14-24 Vdc power supply input.
- Supports up to 46 Engineering Units (including User-defined).
- Stores additional user- calibration table data for up to 10 gases.
- Two programmable Totalizers indicate total gas quantity.
- User-programmable Pulse Output (via SSR).
- High and low gas flow Alarm limits with preset delay interval.
- One user-programmable solid-state relays with latch option.
- User-selectable analog 0-5 Vdc, 0-10 Vdc, or 4-20mA outputs.
- Internal conversion factors for up to 26 gases.
- Digital interface (RS-232 or RS-485) test/configuration port, optional Modbus RTU with Isolated RS-485 transceiver).
- Multi-Drop capability of up to 247 units (RS-485 option).
- Optional Modbus RTU network interface with Isolated RS-485 transceiver.
- Automatic sensor zero offset adjustment (via digital interface or local push button).
- Extensive Self- diagnostic with status LED or OLED (optional) indication.
- Local 128 x 64 high contrast OLED (optional) graphic display with joystick control.
- Free, easy-to-use configuration and calibration software (RS-232/RS-485).

User Features

- ZFM Meters, with the new “Multi-Gas/ Multi-Range (MGMR) features, cover flow ranges from 0-3.125 sml/min to 0-10 sL/min are available in seven standard configurations and maintain their high accuracy with turndown ranges up to 133.3 to 1.
- OEM users can significantly reduce the number of instruments kept in stock, storage space, and cost of ownership.
- ZFM users can rescale their instruments to the desired gas and full scale range on site saving time and money.
- Save on considerable installation costs, instrument removal from the factory floor, and recalibration service which are no longer applicable.
- Aalborg provides each ZFM meter with free and easy-to-use “ZFM Configuration Utility Software”. By connecting the instrument to the RS232 port of a PC or lap-top and running this configuration utility, the user can select different gas types and flow ranges within a few minutes without removing the instrument from the installation.
- Each instrument comes with the standard user-selectable (0-5Vdc, 0-10 Vdc, or 4-20 mA) analog output signals and the RS232 or RS-485 digital interface. Optional Modbus interface is also available.

TABLE 16 - FLOW RANGES FOR ZFM


ZFM LOW FLOW MASS METERS		
CODE	Nominal Flow Range sL/min [N ₂]	Reconfigurable Full Scale Flow Ranges [Min – Max] sL/min (N ₂)
01	0.0125	0.003125 – 0.0125
03	0.05	0.0125 – 0.05
05	0.2	0.05 – 0.2
06	0.8	0.2 – 0.8
08	2.0	0.5 – 2.0
09	6.0	1.5 – 6.0
10	10.0	2.5 – 10.0

TABLE 17 - ZFM SPECIFICATIONS

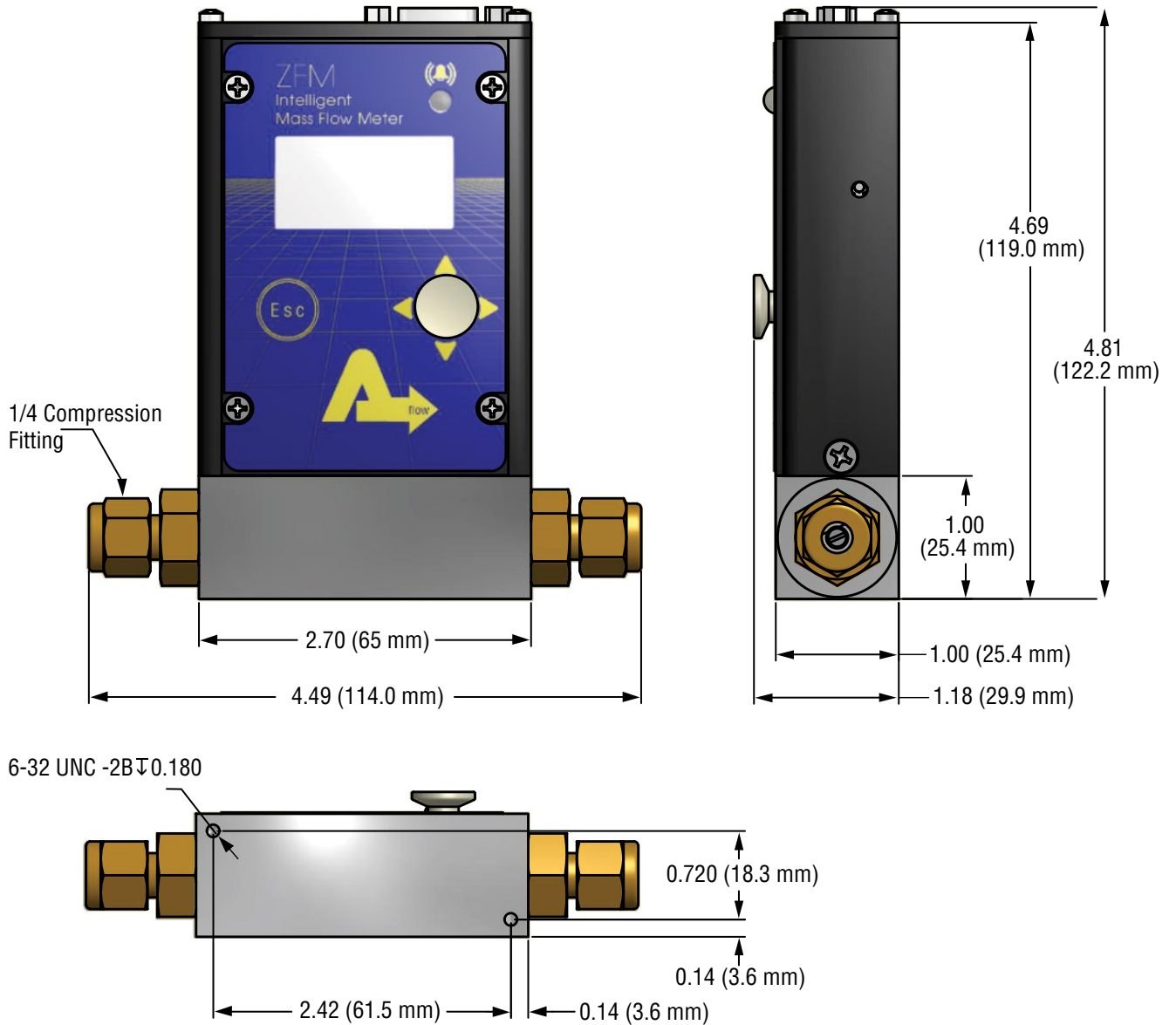
FLOW MEDIUM:	Please note that ZFM Mass Flow Meters are designed to work only with clean gases. Never try to measure flow rates of liquids with any ZFM.
CALIBRATIONS:	Performed at standard conditions [14.7 psia (101.4 kPa) and 70 °F (21.1 °C)] unless otherwise requested or stated.
ENVIRONMENTAL (PER IEC 664):	Installation Level II; Pollution Degree II.
FLOW ACCURACY (INCLUDING LINEARITY):	±(0.5% RD + 0.2% FS) based on actual calibration (at calibration temperature and pressure).
REPEATABILITY:	±0.15% of full scale.
FLOW TEMPERATURE COEFFICIENT:	0.05% of full scale/ °C or better.
FLOW PRESSURE COEFFICIENT:	0.01% of full scale/psi (6.895 kPa) or better.
FLOW RESPONSE TIME:	1000ms time constant; approximately 2 seconds to within ±2% of set flow rate for 0% to 100% of full scale flow.
MAXIMUM PRESSURE:	1000 PSIG (6894 kPa gauge).
MAXIMUM PRESSURE DROP:	About 0.8 psi at 10 L/min flow (TBD).
GAS AND AMBIENT TEMPERATURE:	32 °F to 122 °F (0 °C to 50 °C).
RELATIVE GAS HUMIDITY:	Up to 70%.
LEAK INTEGRITY:	1 x 10 ⁻⁹ sccs He maximum to the outside environment.
ATTITUDE SENSITIVITY:	Incremental deviation of up to 0.5% FS from stated accuracy, after re-zeroing.
OUTPUT SIGNALS:	Linear 0-5 Vdc (3000 ohms min load impedance); Linear 0-10 Vdc (5000 ohms min load impedance); Linear 4-20 mA (500 ohms maximum loop resistance). Maximum noise 10mV peak to peak (for 0-5 Vdc output).
METER INPUT POWER:	14 to 26 Vdc, 100 mV maximum peak to peak noise. Power consumption: maximum 100 mA @ 24Vdc; Circuit board have built-in polarity reversal protection, 300mA resettable fuse provide power input protection.
**MATERIALS FLUID CONTACT:	Aluminum Models: Anodized aluminum, brass, 316 stainless steel, FKM O-rings. Stainless Steel Models: 316 stainless steel, FKM O-rings. Optional O-ring Materials: Buna-N® , EPR® (Ethylene Propylene), or FFKM.



Aalborg makes no expressed or implied guarantees of corrosion resistance of mass flow meters as pertains to different flow media reacting with components of meters. It is the customers' sole responsibility to select the model suitable for a particular gas based on the fluid contacting (wetted) materials offered in the different models

CONNECTIONS:	Model ZFM 17 standard 1/4" compression fittings. Optional 6mm, 1/8" or 3/8" compression fittings and 1/4" VCR fittings are available.
DISPLAY:	Optional local 128x64 graphic yellow OLED with Esc button and Joystick interface.
CALIBRATION OPTIONS:	Build-in support based on empirical K-Factors for additional 5 gases (Air, CO ₂ , O ₂ , Argon, and Helium) included.
	 NOTE: Calibration certificate by default provided for Nitrogen only. If Calibration certificate required for other gases optional "as found" calibration must be ordered. Optional, up to 10 additional custom calibrations (with calibration certificate) may be ordered at additional charge.
CE COMPLIANCE:	EMC Compliance with 2004/108/EC as amended. CISPR 11. Emission Standard: IEC 61000-6-3. Immunity Standard: IEC 61000-6-1.

**The selection of materials of construction, is the responsibility of the customer. The company accepts no liability.



NOTE: Aalborg® reserves the right to change designs and dimensions at its sole discretion at any time without notice. For certified dimensions please contact Aalborg®.

TABLE 18 - ZFM ACCESSORY'S

MODEL NO.	DESCRIPTION
POWER SUPPLIES	
PS-ZFM-110NA-4	ZFM power supply 110VAC North America plug 24 vdc with DC jack power adapter.
PS-ZFM-230EU-4	ZFM power supply 230VAC Europe plug 24Vdc with DC jack power adapter.
PS-ZFM-240UK-4	ZFM power supply 240VAC U.K. plug 24Vdc with DC jack power adapter.
PS-ZFM-240AU-4	ZFM power supply 240VAC Australia plug 24Vdc with DC jack power adapter.
CABLES	
ZFM-APW-BX	Adapter for ZFM DC Power DB9 M/F 2.1 mm DC jack in the box (for user supplied power supply).
CSM9MF-5	Shielded cable D-Sub M/F 9 pins 5.0 feet long.
CSM9MF-10	Shielded cable D-Sub M/F 9 pins 10.0 feet long.
CSM9MF-15	Shielded cable D-Sub M/F 9 pins 15.0 feet long (recommended for 4-20 mA analog output option only).
CSM9MF-25	Shielded cable D-Sub M/F 9 pins 25.0 feet long (recommended for 4-20 mA analog output option only).
CSM9MF-50	Shielded cable D-Sub M/F 9 pins 50.0 feet long (recommended for 4-20 mA analog output option only).
KIT-ZFM-2.5FT	ZFM Electrical Connection Kit: 2.5 feet M/F shielded cable and screw terminal with cover for field termination (included with each ZFM).
CBL-A232	Communication Cable for ZFM with RS-232 Interface 6 FT 3.5mm stereo audio con. with 3-wire to 9 pins female D-connector (included with each ZFM equipped with RS-232 port).
CBL-A485	Communication Cable for ZFM with RS-485 Interface 6 FT 3.5mm stereo audio con. with 3-wire to stripped ends (included with each ZFM equipped with RS-485 port).
COMMUNICATION PORT ACCESSORIES	
USB-RS232	USB to RS232 converter.
USB-RS485	USB to RS485 converter.
RBA098F	Adapter RJ45 TO DB9 female (8X8) for ZFM Modbus interface cable to usb/rs485 converter (USB-RS485).
MODBUS INTERFACE ACCESSORIES	
ECS803-1	RJ45 shielded Y-adapter (Passive TAP).
TDG1026-8C	RJ45 Modular Coupler.
MOD27T	RJ45 Line Terminator (100 Ohm 0.25 W).
JMOD4S-1	RJ45 Splitter fully shielded (5xRJ45, 1 input 4 outputs).
TRD815BL-2	Category 5E Patch Twisted Pair Cable, RJ45 / RJ45, Blue 2.0 feet.
TRD815BL-10	Category 5E Patch Twisted Pair Cable, RJ45 / RJ45, Blue 10.0 feet.
TRD815BL-25	Category 5E Patch Twisted Pair Cable, RJ45 / RJ45, Blue 25.0 feet.

Configure and Order Online: [ZFM Mass Flow Meter](#)

ZFM	MODEL	
MAX FLOW (N ₂)		
17	10 L/min	
MATERIAL		
A	Aluminum	
S	Stainless Steel	
SEALS		
V	FKM	
B	Buna®	
E	EPR	
T	PTFE / FFKM	
FITTINGS		
A	1/4" Compression	MODEL
B	1/8" Compression	ZFM 17
C	1/4" VCR®	ZFM 17
H	6mm Compression	ZFM 17
DISPLAY		
N	NO Display	
L	LCD Readout	
POWER		
6	Universal 11 to 26 Vdc	
OUTPUT SIGNAL		
A	0-5Vdc	
B	4-20mA	
M	0-10 Vdc	
DIGITAL INTERFACE		
2	RS232	
5	RS485	
3	RS232 with MODBUS	

ZFM 17 S — V A L 6 — A 2

EXAMPLE: ZFM17S-VAL6-A2 5 L/min [N₂] 20 psig

SPECIFY: Flow Range, Gas and Pressure

*n.a. = not applicable.

ZFM17 stainless steel, FKM seals, 1/4" compression fittings with LCD readout, 14 to 26 Vdc, 0-5 Vdc output signal with RS232 digital interface.



DPM



Design Features

- Multi-Parameter functionality: Mass Flow, Volumetric Flow, Gas Pressure and Temperature.
- Multi-Gas functionality: support for 90 different gases and gas mixes.
- “User Defined Mixture” functionality allows to create and store up to 20 custom gas mixes with up to 5 different gases each.
- Quick (< 20ms) response time.
- Standard accuracy \pm (0.5% RD + 0.2% FS).
- 200 to 1 turndown ratio.
- Two programmable mass flow rate totalizers.
- High, Low or In Range Alarms with preset action delay for Mass Flow, Temperature and Pressure.
- User programmable mass flow rate Pulse Output (via SSR).
- Extensive Self Diagnostics with status LED or OLED indication.
- All 3 user selectable analog output interfaces are standard: 0-5Vdc, 0-10Vdc, 4-20mA.
- Two user selectable digital communication interfaces (RS-232 and RS-485) are standard.
- Optional Modbus RTU network interface with isolated RS485 transceiver.
- User programmable solid state relay with latch option.
- Universal 9-26 Vdc power supply input.
- Local high contrast OLED (optional) graphic display with joystick control.
- Free, easy-to-use configuration and calibration software (RS-232/RS-485).

General Description

Aalborg Instruments' DPM series digital multi-parameter mass flow meter provides accurate measurements of mass flow rate, volumetric flow rate, pressure and temperature of process gases. It can be used in a variety of industries: scientific and analytical applications, bioreactors and surface depositions, gas sampling, manufacturing and metrology activities.

DPM series digital mass flow meters incorporate multi-parameter multi-gas functionality which allows users on site to select up to 30 different gases locally via optional OLED/Joystick interface, remotely via the RS232/RS485 interface or optional Modbus RTU interface. Standard accuracy is \pm (0.5% RDG + 0.2% FS). Turn down ratio is 200:1. Response time is 10-20 ms.

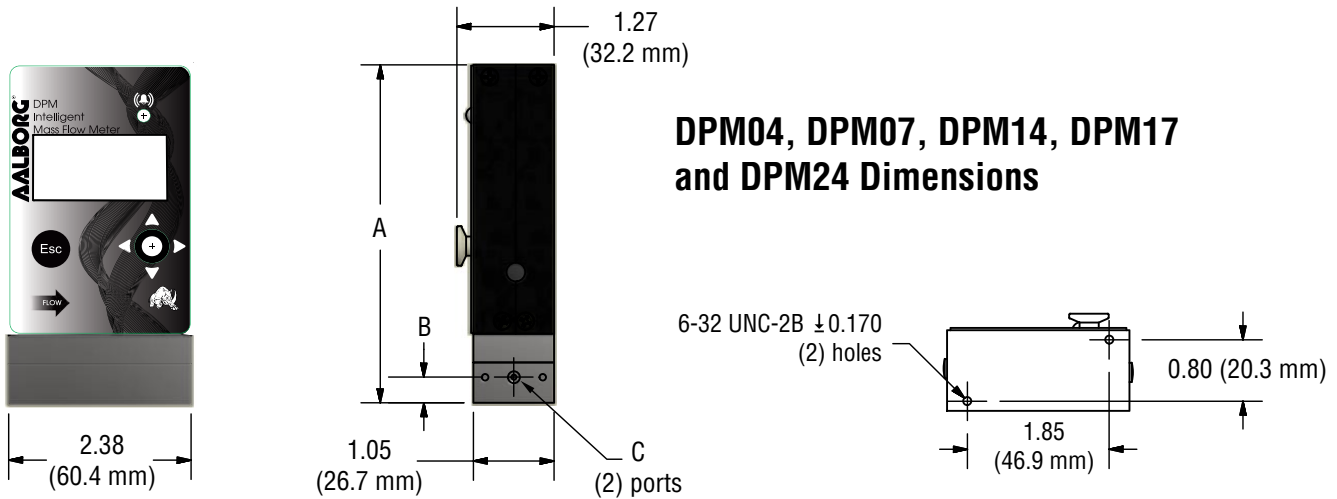
DPM flow meters support various functions including: two programmable flow totalizers, low, high or range flow, temperature and pressure alarms, automatic zero adjustment (activated via local or communication interface), programmable SSR relay, programmable 0-5 Vdc, 0-10 Vdc or 4-20 mA analog outputs, user-programmable pulse output (via SSR), and extensive self-diagnostics functionality.

Significant savings become apparent when comparing the cost of a single DPM meter embodying these features, with that of acquiring and installing multiple, application-specific devices.

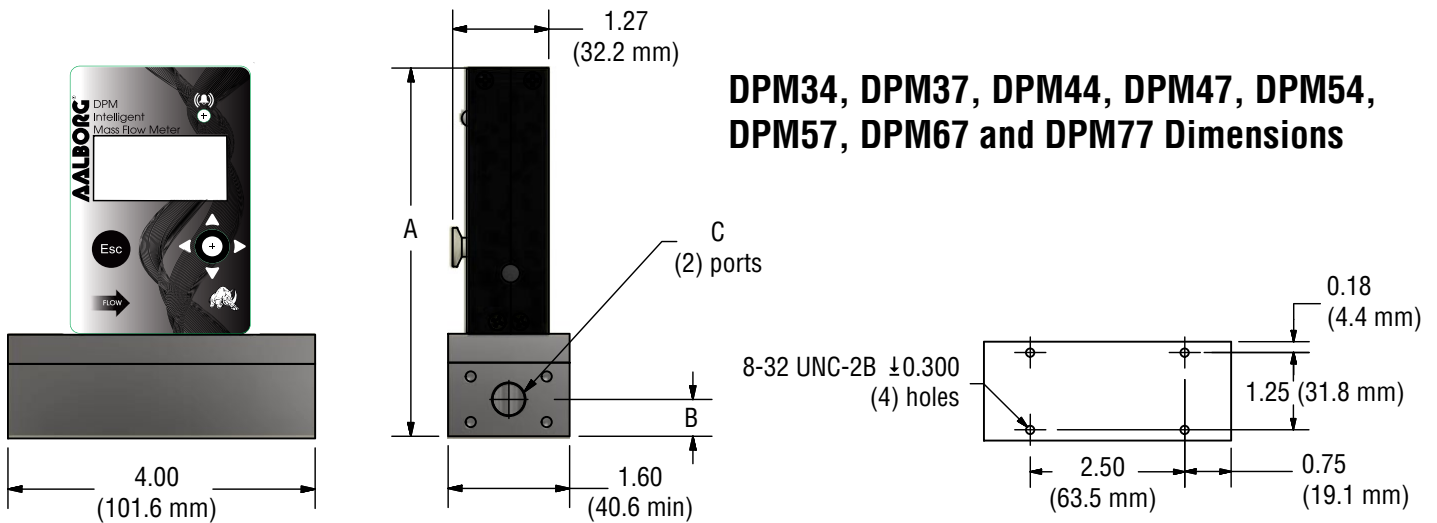
Principles of Operation

Operation of DPM flow meters is based on the measurement of the differential pressure across specially designed restrictor flow elements. The restrictor flow element is designed to establish laminar flow across the entire range of the instrument's operation from 0 to 133% of full scale range.

A high accuracy and high resolution **differential** pressure sensor is utilized to measure pressure drop across a laminar flow channel, which is linearly proportional to volumetric flow rate. To convert volumetric flow into mass flow, high accuracy and high resolution **absolute** pressure and temperature sensors are utilized. Based on data from the sensors and gas properties from the built-in data base of the instrument, the microcontroller calculates volumetric and mass flow, which along with pressure and temperature parameters are available on the instrument display or via digital interfaces. In addition, the mass flow reading is accessible via the instrument analog interface which can be set by user to 0-5, 0-10 Vdc or 4-20mA mode.



	A	B	C
DPM04 / DPM07	4.40 (111.8 mm)	0.34 (8.5 mm)	10-32 UNF-2B
DPM14 / DPM17	4.58 (116.2 mm)	0.35 (8.9 mm)	1/8-27 NPT
DPM24	5.0 (127.0 mm)	0.35 (8.9 mm)	1/4-18 NPT



	A	B	C
DPM34 / DPM37	4.85 (123.2 mm)	0.49 (12.3 mm)	1/4"-18 NPT
DPM44 / DPM47	4.85 (123.2 mm)	0.49 (12.3 mm)	1/4"-18 NPT
DPM57	5.48 (139.1 mm)	0.80 (20.3 mm)	1/2"-14 NPT
DPM54 / DPM67	5.48 (139.1 mm)	0.80 (20.3 mm)	3/4"-14 NPT
DPM77	5.48 (139.1 mm)	0.80 (20.3 mm)	3/4"-14 NPT

NOTE: Aalborg® reserves the right to change designs and dimensions at its sole discretion at any time without notice. For certified dimensions please contact Aalborg®.

TABLE 19 - DPM FLOW RANGES

MODEL NO.	FULL SCALE MASS FLOW RATE	PRESSURE DROP AT FULL SCALE FLOW (PSID)	PROCESS CONNECTION
STANDARD PRESSURE DROP [AIR]			
DPM07	0.5 to 50 smL/min	1.0	10-32 Female Thread
DPM17	51 smL/min to 20 sL/min	1.0	1/8" NPT Female
DPM37	21 sL/min to 50 sL/min	2.0	1/4" NPT Female
DPM47	51 sL/min to 100 sL/min	2.5	1/4" NPT Female
DPM57	101 sL/min to 250 sL/min	5.5	1/2" NPT Female
DPM67	251 sL/min 500 sL/min	5.5	3/4" NPT Female
DPM77	501 sL/min to 1000 sL/min	7.0	3/4" NPT Female
DPM (BREEZE™) LOW PRESSURE DROP [AIR]			
DPM04	0.5 smL/min to 20 smL/min	0.06	10-32 Female Thread
DPM14	21 smL/min to 2 sL/min	0.07	1/8" NPT Female
DPM24	2.1 sL/min to 10 sL/min	0.085	1/4" NPT Female
DPM34	10.1 sL/min to 20 sL/min	0.3	1/4" NPT Female
DPM44	20.1 sL/min to 40 sL/min	0.15	1/2" NPT Female
DPM54	40.1 sL/min to 100 sL/min	0.25	3/4" NPT Female

TABLE 20 - DPM ACCESSORY'S

FITTINGS		
MODEL NO.	FITTING CODE	DESCRIPTION
DPM07 / 04	F1C5	10-32 Thread, 1/8" Tubing, Compression, 316 ss.
DPM07 / 04	F2C5	10-32 Thread, 1/8" Tubing, Compression, Nickel Plated Brass.
DPM17 / 14	F2C2	1/8" NPT Thread, 1/8" tubing, Compression, 316 ss.
DPM17 / 14	F2C4	1/8" NPT Thread, 1/4" tubing, Compression, 316 ss.
DPM37 / 34	F4C4	1/4" NPT Thread, 1/4" tubing, Compression, 316 ss.
DPM24 / 34 / 47	F4C6	1/4" NPT Thread, 3/8" tubing, Compression, 316 ss.
DPM44 / 57	F8C6	1/2" NPT Thread, 3/8" tubing, Compression, 316 ss.
DPM54 / 67	1210-1-12-316	3/4" NPT Thread 3/4" tubing, Compression, 300 series ss.
DPM54 / 77	1210-1-12-316	3/4" NPT Thread 3/4" tubing, Compression, 300 series ss.
POWER SUPPLIES		
PS-GFM-110NA-2	Power Supply, 110 V / 12 Vdc / North America.	
PS-GFM-110NA-4	Power Supply, 110 V / 24 Vdc / North America.	
PS-GFM-230EU-2	Power Supply, 220 V / 12 Vdc / Europe.	
PS-GFM-230EU-4	Power Supply, 220 V / 24Vdc / Europe.	
PS-GFM-240UK-2	Power Supply 240 V / 12 Vdc / United Kingdom.	
CABLES		
CBL-RS232	Communication Cable for DPM with RS232 Interface 1.5 FT 3.5mm stereo audio con. with 3-wire to 9 pins female D-connector (included with each DPM ordered with RS-232 interface).	
CBL-RS485DP	Communication Cable for DPM with RS485 Interface 3 FT 3.5mm stereo audio con. with 3-wire to stripped ends. (included with each DPM ordered with RS-485 interface).	
CBL-8MINIDIN-3	Shielded cable 8 pins MinDin with stripped ends 3 feet long.	
CBL-8MINIDIN-12	Shielded cable 8 pins MinDin with stripped ends 12 feet long.	
COMMUNICATION PORT ACCESSORIES		
USB-RS232	USB to RS232 converter.	
USB-RS485	USB to RS485 converter.	
MODBUS INTERFACE ACCESSORIES		
ECS803-1	RJ45 shielded Y-adapter (Passive TAP).	
TDG1026-8C	RJ45 Modular Coupler.	
MOD27T	RJ45 Line Terminator (100 Ohm 0.25 W).	
JMOD4S-1	RJ45 Splitter fully shielded (5xRJ45, 1 input 4 outputs).	
TRD815BL-2	Category 5E Patch Twisted Pair Cable, RJ45 / RJ45, Blue 2.0 feet.	
TRD815BL-10	Category 5E Patch Twisted Pair Cable, RJ45 / RJ45, Blue 10.0 feet.	
TRD815BL-25	Category 5E Patch Twisted Pair Cable, RJ45 / RJ45, Blue 25.0 feet.	

TABLE 21 - DPM SPECIFICATIONS

FLOW MEDIUM:	Please note that DPM Mass Flow Meters are designed to work only with clean, non-corrosive gases. Never try to measure flow rates of liquids with any DPM.	
CALIBRATIONS:	Perform at standard conditions [14.7 psia (101.4 kPa) and 70 °F (21.1 °C)]	
ENVIRONMENTAL (PER IEC 664):	Installation Level II; Pollution Degree II.	
FLOW ACCURACY (INCLUDING LINEARITY):	±(0.5% RD + 0.2% FS) at calibration temperature and pressure.	
REPEATABILITY:	±0.15% of full scale.	
FLOW TEMPERATURE COEFFICIENT:	0.05% of full scale/ °C or better.	
FLOW PRESSURE COEFFICIENT:	0.01% of full scale/psi (6.895 kPa) or better.	
FLOW RESPONSE TIME:	Default 10 ms (adjustable by user).	
INSTRUMENT WARM-UP TIME:	< 5 seconds.	
MAXIMUM MEASURABLE FLOW RANGE:	133% Full Scale.	
OPERATING RANGE / TURNDOWN RATIO:	0.5% to 100% Full Scale / 200:1.	
MASS REFERENCE CONDITIONS (STP):	70 °F & 14.696 PSIA (other available on request).	
MAXIMUM INTERNAL GAS PRESSURE (STATIC):	DPM07 /17 /37 /47 /57 /67 /77	120 PSIG
	DPM04 /14 /24 /34 /44 /54	50 PSIG
MAXIMUM INSTANTANEOUS DIFFERENTIAL PRESSURE ACROSS INLET AND OUTLET:	DPM07 /17 /37 /47 /57 /67 /77	12 PSID
	DPM04 /14 /24 /34 /44 /54	9.75 PSID
PROOF PRESSURE:	DPM07 /17 /37 /47 /57 /67 /77	145 PSIG
	DPM04 /14 /24 /34 /44 /54	50 PSIG
OPERATING TEMPERATURE:	-10 to +60 °C (14 to 140 °F).	
MOUNTING ATTITUDE SENSITIVITY:	None.	
RELATIVE GAS HUMIDITY RANGE:	0 to 100% (Non-Condensing).	
INGRESS PROTECTION:	IP40.	
OUTPUT SIGNALS:	Linear 0-5 Vdc (3000 ohms min. load impedance);	
	Linear 0-10 Vdc (5000 ohms min. load impedance); with power supply >= 12Vdc.	
	Linear 4-20 mA (550 ohms maximum loop resistance) with power supply >= 12Vdc.	
	Maximum noise 10mV peak to peak (for 0-5/0-10 Vdc output).	
TRANSDUCER INPUT POWER:	9 to 26 Vdc, 150 mV maximum peak to peak output noise. Power consumption: 100 mA maximum. Circuit board has built-in polarity reversal protection, 300mA resettable fuse provide power input protection.	
DIGITAL OUTPUT SIGNALS:	Standard RS-232 or RS-485 (user selectable). Optional Modbus over isolated RS-485 transceiver.	
** MATERIALS FLUID CONTACT:	316 stainless steel, 416 stainless steel, high temperature polyamide, alumina ceramic, epoxy, silicone, glass, gold. FKM O-rings.	

** The selection of materials of construction, is the responsibility of the customer. The company accepts no liability.



Configure and Order Online: [DPM Mass Flow Meter](#)

DPM	MODEL							
MAX FLOW (Air)								
Standard Pressure Drop	07	0.5 sml/min to 50 sml/min						
	17	51 sml/min to 20 sL/min						
	37	21 sL/min to 50 sL/min						
	47	51 sL/min to 100 sL/min						
	57	250 sL/min						
	67	500 sL/min						
	77	1000 sL/min						
Breeze™ Low Pressure Drop	04	0.5 smL/min to 20 smL/min						
	14	21 smL/min to 2 sL/min						
	24	2.1 sL/min to 10 sL/min						
	34	10.1 sL/min to 20 sL/min						
	44	20.1 sL/min to 40 sL/min						
	54	40.1 sL/min to 100 sL/min						
MATERIAL								
S	Stainless Steel							
SEALS								
V	FKM							
CONNECTIONS								
0	Not Included (Optional Accessory)							
OLED READOUT								
N	NO Display							
L	OLED Readout							
POWER								
6	Universal 9 to 26 Vdc							
OUTPUT SIGNAL								
A	0-5 Vdc							
B	4-20 mA							
M	0-10 Vdc							
DIGITAL INTERFACE								
2	RS232							
5	RS485							
3	RS232 with Modbus							
4	RS485 with Modbus							
DPM	17	S	V	0	L	6	A	3

EXAMPLE: DPM17S-VOL6-A3

SPECIFY: Flow Range, Gas and Pressure *n.a. = not applicable.

DPM17, 316 stainless steel, FKM seals, with OLED readout 9-26 Vdc, 0-5 Vdc output signal, RS 232 with Modbus

Model GFC thermal Mass Flow Controllers are designed to indicate and control set flow rates of gases.

The GFC combines the characteristics and accuracy of conventional mass flow devices into a unique compact design at low costs previously unattainable.

Each of these controllers incorporates an advanced U shape tube sensor in conjunction with flow passage elements constructed of aluminum and brass for non-corrosive gases or 316 stainless steel for corrosive applications. Zero and span adjustments are accessible from the outside of transmitters.

Principles of Operation

Metered gases are divided into two laminar flow paths, one through the primary flow conduit, and the other through a capillary sensor tube. Both flow conduits are designed to ensure laminar flows and therefore the ratio of their flow rates is constant.

Two precision temperature sensing windings on the sensor tube are heated, and when flow takes place, gas carries heat from the upstream to the downstream windings. The resultant temperature differential is proportional to the change in resistance of the sensor windings.

A Wheatstone bridge design is used to monitor the temperature dependent resistance gradient on the sensor windings which is linearly proportional to the instantaneous rate of flow.

Output signals of 0 to 5Vdc and 4 to 20mA are generated indicating mass molecular based flow rates of the metered gas. The combined gas streams flow through a proportionating electromagnetic valve with an appropriately selected orifice. The closed loop control circuit continuously monitors the mass flow output and maintains it at the set flow rate.

Flow rates are unaffected by temperature and pressure variations within stated limitations.

Design Features

- Rigid metallic construction.
- Maximum pressure of 1000 psig (70 bars).
- Leak integrity 1×10^{-9} smL/sec of helium.
- NIST traceable certification.
- Built-in tiltable LCD readout.
- Local or remote setpoint control.
- 0-5 Vdc and 4-20 mA signals.
- Circuit protection.
- TIO Totalizer option.

General Description

Compact, self-contained GFC mass flow controllers are designed to indicate and control flow rates of gases. The rugged design coupled with instrumentation grade accuracy provides versatile and economical means of flow control. Aluminum or stainless steel models with readout options of either engineering units (standard) or 0 to 100 percent displays are available. The built-in electromagnetic valve allows the flow to be set to any desired flow rate within the range of the particular model.



Typical Stainless Steel GFC Mass Flow Controller

Setpoints are controlled either locally or remotely. The valve is normally closed as a safety feature to ensure that gas flow is shut off in case of a power outage. The LCD readout built into the top of the transducer is tiltable over 90 degrees to provide optimal reading comfort. It is connected to the transducer by a standard modular plug, and is readily removable for remote reading installations. Transducers without LCD readout are offered for OEM applications. GFC mass flow controllers are available with flow ranges from 10 mL/min to 1000 L/min N₂. Gases are connected by means of 1/4", 3/8", or optional 1/8" compression fittings and 3/4" FNPT fittings. Optional fittings are available. These controllers may be used as bench top units or mounted by means of screws in the base. Transducer power supply ports are fuse and polarity protected.

Leak Integrity

1 x 10⁻⁹ mL/sec of helium maximum to the outside environment.

TABLE 22 - SPECIFICATIONS

ACCURACY:	ACCURACY %FS			OPTIONAL ENHANCED ACCURACY %FS			
	MODEL:	GFC 17, 37, 47	GFC 57, 67, 77		MODEL:	GFC 57, 67, 77	
	FLOW RANGE:	0-100%	20-100%	0-20%	FLOW RANGE:	20-100%	0-20%
	ACCURACY:	±1.0%	±1.5%	±3%	ACCURACY:	±1%	±1.0% REF DATA with ±1%
CALIBRATIONS:	Performed at standard conditions [14.7 psia (101.4 kPa) and 70 °F (21.1 °C)] unless otherwise requested.						
REPEATABILITY:	±0.5% of full scale.						
RESPONSE TIME:	GFC17:	300ms time constant; approximately 1 second to within ±2% of set flow rate for 25% to 100% of full scale flow.					
	GFC 37/47:	600ms time constant; approximately 2 seconds to within ±2% of set flow rate for 25% to 100% of full scale flow.					
	GFC 57/67/77:	1800ms time constant; approximately 5 seconds to within ± 2% of set flow rate for 25% to 100% of full scale flow.					
TEMPERATURE COEFFICIENT:	0.15% of full scale / °C.						
PRESSURE COEFFICIENT:	0.01% of full scale / psi (0.07 bar).						
PRESSURE DROP:	See Table 24.						
OPTIMUM GAS PRESSURE:	25 psig (1.73 bars).						
MAX. GAS PRESSURE:	1000 psig (70 bars) maximum GFC 17, 37, 47. 500 psig (34.5 bars) GFC 57, 67, 77.						
TURN DOWN RATIO:	40:1.						
MAX. DIFF. PRESSURE:	50 psi for GFC 17/37/57/67 and 77 (3.4 bars), 40 psi for 47 (2.7 bars).						
GAS AND AMBIENT TEMP:	32 °F to 122 °F (0 °C to 50 °C). 14 °F to 122 °F (-10 °C to 50 °C) - Dry gases only.						
**MATERIALS IN FLUID CONTACT:	<p>a. Aluminum models GFC Series: anodized aluminum, 316 stainless steel, brass and FKM O-rings.</p> <p>b. Stainless steel models GFC17S, 37S, 47S, 57S, 67S and 77S: 316 stainless steel and FKM O-rings. Optional O-rings: Buna® EPR and FFKM.</p>						
ATTITUDE SENSITIVITY:	No greater than +15 degree rotation from horizontal to vertical; standard calibration is in horizontal position.						
OUTPUT SIGNALS:	Linear 0-5 Vdc. (1000 ohms min. load impedance); 4-20 mA (0-500 ohms loop resistance) Max noise ±20mV.						
COMMAND SIGNALS:	Analog 0-5 Vdc or 4-20 mA for remote set point mode; NPN compatible purge /valve off.						
CONNECTIONS:	GFC 17:	1/4" compression fittings. Optional: 6mm, 3/8" and 1/8" compression fittings or 1/4" VCR® .					
	GFC 37:	1/4" compression fittings. Optional: 6mm and 3/8" compression fittings or 1/4" VCR® .					
	GFC 47:	3/8" compression fittings.					
	GFC 57:	3/8" compression fittings.					
	GFC 67:	1/2" compression fittings.					
	GFC 77:	3/4" FNPT fittings. Optional: 3/4" compression fittings.					
LEAK INTEGRITY:	1 x 10 ⁻⁹ smL/sec of helium maximum to the outside environment.						
TRANSDUCER INPUT POWER:	<p>GFC 17, 37 and 47: Universal +12 Vdc to 26 Vdc, 650 mA maximum.</p> <p>GFC 57, 67 and 77: +12 Vdc, 800 mA; +24 Vdc, 650 mA optional.</p>						
CIRCUIT PROTECTION:	Circuit boards have built-in polarity reversal protection. Resettable fuses provide power input protection.						
DISPLAY:	3-1/2 digit LCD, 0.5" high characters.						
CE COMPLIANT:	EN 55011 class 1, class B; EN50082-1.						

**The selection of materials of construction, is the responsibility of the customer. The company accepts no liability.

TABLE 23 - FLOW RANGES FOR GFC

GFC 17 LOW FLOW MASS FLOW CONTROLLER	
CODE	mL / min [N ₂]
01	0 to 10
02	0 to 20
03	0 to 50
04	0 to 100
05	0 to 200
06	0 to 500
CODE	L / min [N ₂]
07	0 to 1
08	0 to 2
09	0 to 5
10	0 to 10
GFC 37 MEDIUM FLOW MASS FLOW CONTROLLER	
11	0 to 15
30	0 to 20
31	0 to 30
32	0 to 40
33	0 to 50
GFC 47 /57 /67 /77 HIGH FLOW MASS FLOW CONTROLLER	
40	0 to 60
41	0 to 80
42	0 to 100
50	0 to 200
60	0 to 500
70	0 to 1000

TABLE 24 - MAXIMUM PRESSURE DROP FOR GFC

MODEL	FLOW RATE (N ₂) [liters/min]	MAXIMUM PRESSURE DROP		
		[mm H ₂ O]	[psid]	[mbar]
GFC 17	up to 10	720	1.06	75
	15	2630	3.87	266
	20	1360	2.00	138
GFC 37	30	2380	3.50	241
	40	3740	5.50	379
	50	5440	8.00	551
GFC 47	60	7480	11.00	758
	100	12850	18.89	1302
GFC 57	200	7031	10.00	690
GFC 67	500	8437	12.00	827
GFC 77	1000	10547	15.00	1034

GFC 57, 67 and 77 Series Aluminum and Stainless Mass Flow Controllers

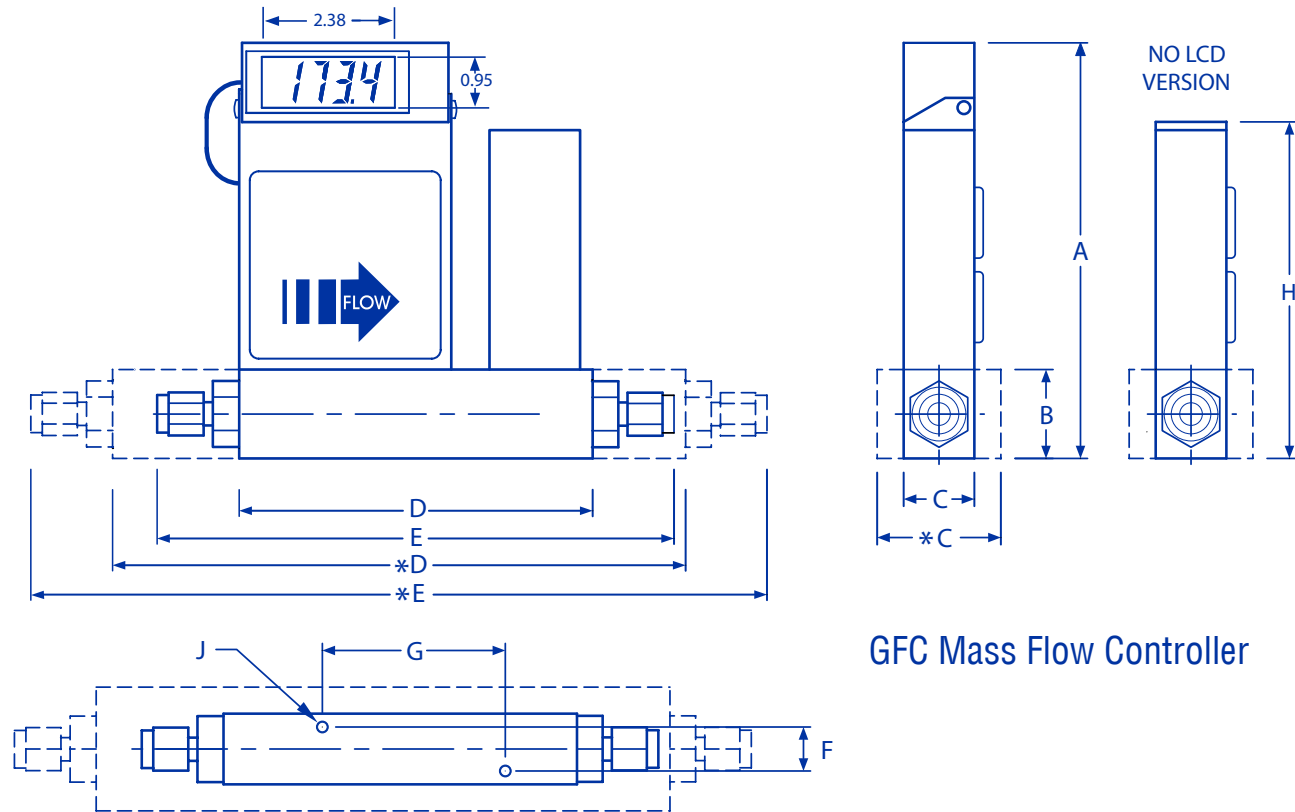


TABLE 25 - ACCESSORIES FOR GFC

POWER SUPPLY - BATTERY PACK - CABLES

PS-GFC-110NA-2	Power Supply, 110 V/12 Vdc /North America
PS-GFC-110NA-4	Power Supply, 110 V/24 Vdc /North America
PS-GFC-230EU-2	Power Supply, 220 V/12 Vdc /Europe
PS-GFC-230EU-4	Power Supply, 220 V/24 Vdc /Europe
PS-GFC-240UK-2	Power Supply 240 V/12 Vdc /United Kingdom
PS-GFC-240UK-4	Power Supply 240 V/24 Vdc /United Kingdom
PS-GFC-240AU-2	Power Supply 240 V/12 Vdc /Australia
PS-GFC-240AU-4	Power Supply 240 V/24 Vdc /Australia
CBL-DGS	Cable, Shielded 15-pin D-connector /end terminated
17/3RC	Remote Cable, 3 feet long
17/ R	Remote LCD readout with 3 feet long cable

For Totalizer Input/Output Flow Monitor/ Controller options see page 55.



GFC Mass Flow Controller

NOTE: Aalborg® reserves the right to change designs and dimensions at its sole discretion at any time without notice. For certified dimensions please contact Aalborg®.

TABLE 26 - DIMENSION FOR GFC

MODEL	CONNECTION COMPRESSION FITTING (except model GFC 77)	DIMENSION (INCH)								
		LCD VERSION							NO LCD	MOUNTING HOLE
		A	B	C/*C	D/*D	E/*E	F	G		
GFC 17	1/4" Tube O Diameter	5.72	1.00	1.00	4.27	6.29	0.69	2.69	4.61	6-32 x 0.13
				*C	*D	*E				
GFC 37	1/4" Tube O Diameter	6.10	1.37	1.25	5.19	7.21	0.69	2.69	4.99	6-32 x 0.10
GFC 47	3/8" Tube O Diameter	6.10	1.37	1.25	5.19	7.33	0.69	2.69	4.99	6-32 x 0.10
GFC 57	3/8" Tube O Diameter	6.73	2.00	1.75	10.2	12.3	1.39	4.69	5.62	10-24 x 0.25
GFC 67	1/2" Tube O Diameter	7.55	3.00	3.00	10.24	12.4	2.5	6.80	6.53	1/4-20 x 0.35
GFC 77	3/4" NPT Female	8.66	4.00	4.00	10.5	—	3.0	6.80	7.55	1/4-20 x 0.35

For Specific Flow Ranges Contact Aalborg Customer Service Department.

Configure and Order Online: [GFC Mass Flow Controller](#)

GFC	MODEL	
MAX. FLOW (N ₂)		
17	10 L/min	
37	50 L/min	
47	100 L/min	
57	200 L/min	
67	500 L/min	
77	1000 L/min	
MATERIAL		
A	Aluminum	
S	Stainless Steel	
SEALS		
V	FKM	
B	Buna®	
E	EPR	
T	FFKM	
FITTINGS		
A	1/4" Compression	GFC 17, 37
B	1/8" Compression	GFC 17
C	1/4" VCR®	GFC 17, 37
D	3/8" Compression	GFC 17, 37, 47, 57
E	1/2" Compression	GFC 67
F	3/4" FNPT	GFC 77
G	3/4" Compression	GFC 77
H	6mm Compression	GFC 17, 37
DISPLAY		
N	No display	
L	LCD readout	
POWER		
6	Universal +12 Vdc to 26 Vdc	GFC 17, 37 and 47
2	12 Vdc	GFC 57, 67 and 77
4	24 Vdc	GFC 57, 67 and 77
INPUT/OUTPUT SIGNAL		
A	Local 0-5 Vdc	
B	Local 4-20 mA	
C	0-5Vdc/0-5Vdc	
D	0-5Vdc/4-20mA	
E	4-20mA/4-20mA	
F	4-20mA/0-5Vdc	
DIGITAL INTERFACE		
O	None	

GFC 17 S — V A L 2 — C O

EXAMPLE: GFC17S-VAL2-CO 10 L/min [N₂] 20 psig

SPECIFY: Flow Range, Gas and Pressure *n.a. = not applicable.

GFC17 stainless steel, FKM seals, 1/4" compression fittings with display, 12Vdc, 0-5 Vdc. Out put signal, No digital interface

DPC04, DPC07, DPC14, DPC17, DPC37 and DPC47



DPC57, DPC67 and DPC77



Design Features

- Simultaneously displays Mass Flow, Volumetric Flow, Pressure and Temperature.
- Multi-Gas functionality: support for 90 different gases and gas mixes.
- “User Defined Mixture” functionality allows to create and store up to 20 custom gas mixes with up to 5 different gases each.
- Quick (100-150 ms) response time.¹
- Standard accuracy $\pm (0.5\% \text{ RD} + 0.2\% \text{ FS})$.
- 200 to 1 turn-down ratio.
- Two programmable mass flow rate totalizers.
- High, Low or In Range Alarms with preset action delay for Mass Flow, Temperature and Pressure.
- User programmable mass flow rate Pulse Output (via SSR).
- Extensive Self Diagnostics with status LED or OLED indication.
- All 3 user selectable analog input and output interfaces are standard: 0-5Vdc, 0-10Vdc, 4-20mA.
- Two user selectable digital communication interfaces (RS-232 and RS-485) are standard.
- Optional Modbus RTU network interface with isolated RS485 transceiver.
- User programmable solid state relay with latch option.
- Universal 12-26 Vdc power supply input (for DPC07/17/37/47). For DPC57/67/77 24-26Vdc.
- Local high contrast OLED (optional) graphic display with joystick control.
- Free, easy-to-use configuration and calibration software (RS-232/RS-485).
- Programmable set point table with ramping up/down capability up to 16 steps.

General Description

Aalborg Instruments' DPC series precision digital mass flow controller provides accurate and stable control of mass flow rates, of process gases. With simultaneous displays of Mass Flow, Volumetric Flow, Pressure and Temperature parameters it can be used in a variety of industries: scientific and analytical applications, bioreactors and surface depositions, gas sampling, manufacturing and metrology activities.

DPC flow controllers support various functions including: user selectable local, analog, digital or program set point control, two programmable flow totalizers, low, high or range flow, temperature and pressure alarms, automatic zero adjustment (activated via local or communication interface), programmable SSR relay, programmable 0-5 Vdc, 0-10 Vdc or 4-20 mA analog inputs and outputs, user-programmable pulse output (via SSR), and extensive self-diagnostics functionalities.

DPC differential pressure mass flow controllers feature totalizers with batch processing mode (0.5% RD + 0.2%FS) standard accuracy, 200:1 turn-down ratio and less than 150 ms response time.

Significant savings are apparent, comparing to the cost of a single DPC embodying these features, with that of acquiring and installing multiple, application-specific devices.

Principles of Operation

Operation of DPC flow controllers is based on the measurement of the differential pressure across specially designed restrictor flow elements. The restrictor flow element is designed to establish laminar flow across the entire range of the instrument's operation from 0 to 133% of full scale range.

A high accuracy and high resolution **differential** pressure sensor is utilized to measure pressure drop across a laminar flow channel, which is linearly proportional to volumetric flow rate. To convert volumetric flow into mass flow, high accuracy and high resolution **absolute** pressure and temperature sensors are utilized. Based on data from the sensors and gas properties from the built-in data base of the instrument, the micro-controller calculates volumetric and mass flow, which along with pressure and temperature parameters are available on the instrument display or via digital interfaces. In addition, the mass flow reading is accessible via the instrument analog interface which can be set by user to 0-5, 0-10 Vdc or 4-20mA mode.

1. For DPC with full scale 20 sml/min and lower the response time may be slightly longer.
2. Digital Signal provide access to Mass Flow, Volumetric Flow, Pressure, Temperature, Totalizers, Alarms.

TABLE 27 - DPC FLOW RANGES

MODEL NO.	FULL SCALE MASS FLOW RATE	PRESSURE DROP AT FULL SCALE FLOW (PSID)	PROCESS CONNECTION
DPC04	0.5 sml/min to 20 smL/min	0.08	10-32 Female Thread
DPC07	0.5 to 50 sml/min	1.0	10-32 Female Thread
DPC14	21 smL/min to 2 sL/min	0.19	1/8" NPT Female
DPC17	51 sml/min to 20 sL/min	1.0 - 20.0	1/8" NPT Female
DPC37	21 sL/min to 50 sL/min	5.0 - 8.5	1/4" NPT Female
DPC47	51 sL/min to 100 sL/min	10.0 - 20.0	1/4" NPT Female
DPC57	250 sL/min	2.5	1/2" NPT Female
DPC67	500 sL/min	6.9	3/4" NPT Female
DPC77	1000 sL/min	15.0	3/4" NPT Female

TABLE 28 - DPC ACCESSORY'S

FITTINGS		
MODEL NO.	FITTING CODE	DESCRIPTION
DPC04 / 07	F1C5	10-32 Thread, 1/8" Tubing, Compression, 316 ss.
DPC04 / 07	F2C5	10-32 Thread, 1/8" Tubing, Compression, Nickel Plated Brass.
DPC14 / 17	F2C2	1/8" NPT Thread, 1/8" tubing, Compression, 316 ss.
DPC14 / 17	F2C4	1/8" NPT Thread, 1/4" tubing, Compression, 316 ss.
DPC37	F4C4	1/4" NPT Thread, 1/4" tubing, Compression, 316 ss.
DPC47	F4C6	1/4" NPT Thread, 3/8" tubing, Compression, 316 ss.
DPC57	F8C6	1/2" NPT Thread, 3/8" tubing, Compression, 300 series ss.
DPC57	F8C8	1/2" NPT Thread, 1/2" tubing, Compression, 300 series ss.
DPC67/77	1210-1-12-316	3/4" NPT Thread, 3/4" tubing, Compression, 300 series ss.
POWER SUPPLIES		
PS-GFM-110NA-2	Power Supply, 110 V / 12 Vdc / North America.	
PS-GFM-110NA-4	Power Supply, 110 V / 24 Vdc / North America.	
PS-GFM-230EU-2	Power Supply, 220 V / 12 Vdc / Europe.	
PS-GFM-230EU-4	Power Supply, 220 V / 24Vdc / Europe.	
PS-GFM-240UK-2	Power Supply, 240 V / 12 Vdc / United Kingdom.	
CABLES		
CBL-A232	Communication Cable for DPC with RS-232 Interface 1.5 FT 3.5 mm stereo audio con. with 3-wire to 9 pins female D-connector (included with each DPC).	
CBL-A485DP	Communication Cable for DPC with RS-485 Interface 3 FT 3.5mm stereo audio con. with 3-wire to stripped ends.	
CBL-8MINIDIN-3	Shielded cable 8 pins MinDin with stripped ends 3 feet long.	
CBL-8MINIDIN-12	Shielded cable 8 pins MinDin with stripped ends 12 feet long.	
COMMUNICATION PORT ACCESSORIES		
USB-RS232	USB to RS232 converter.	
USB-RS485	USB to RS485 converter.	
MODBUS INTERFACE ACCESSORIES		
ECS803-1	RJ45 shielded Y-adaptor (Passive TAP).	
TDG1026-8C	RJ45 Modular Coupler.	
MOD27T	RJ45 Line Terminator (100 Ohm 0.25 W).	
JMOD4S-1	RJ45 Splitter fully shielded (5xRJ45, 1 input 4 outputs).	
TRD815BL-2	Category 5E Patch Twisted Pair Cable, RJ45 / RJ45, Blue 2.0 feet.	
TRD815BL-10	Category 5E Patch Twisted Pair Cable, RJ45 / RJ45, Blue 10.0 feet.	
TRD815BL-25	Category 5E Patch Twisted Pair Cable, RJ45 / RJ45, Blue 25.0 feet.	

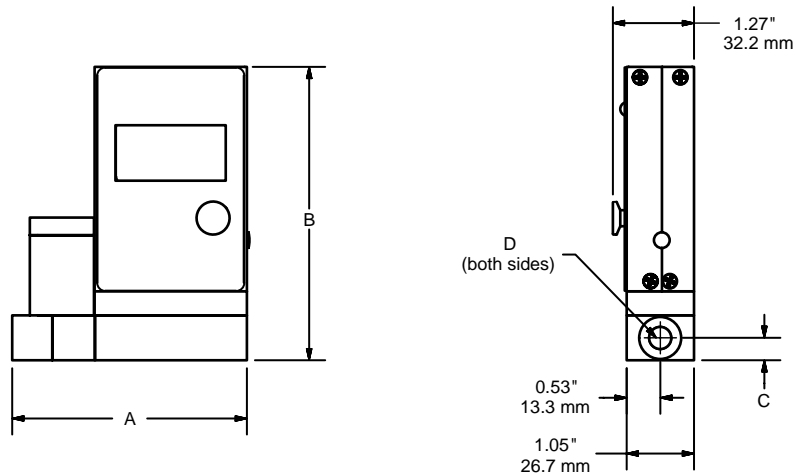
TABLE 29 - DPC SPECIFICATIONS

FLOW MEDIUM:	Please note that DPC Mass Flow Controllers are designed to work only with clean, non-corrosive gases. Never try to control flow rates of liquids with any DPC.
CALIBRATIONS:	Performed at standard conditions [14.7 psia (101.4 kPa) and 70 °F (21.1 °C)] unless otherwise requested or stated.
ENVIRONMENTAL (PER IEC 664):	Installation Level II; Pollution Degree II.
FLOW ACCURACY (INCLUDING LINEARITY):	±(0.5% RD + 0.2% FS) at calibration temperature and pressure conditions after tare.
REPEATABILITY:	±0.2% of full scale.
FLOW TEMPERATURE COEFFICIENT:	0.05% of full scale/ °C or better.
FLOW PRESSURE COEFFICIENT:	0.01% of full scale/psi (6.895 kPa) or better.
TYPICAL FLOW RESPONSE TIME:	Default 150 ms (adjustable). ¹
INSTRUMENT WARM-UP TIME:	< 5 seconds.
MAXIMUM CONTROLLABLE FLOW RANGE:	133% Full Scale.
OPERATING RANGE / TURNDOWN RATIO:	0.5% to 100% Full Scale / 200:1.
MASS REFERENCE CONDITIONS STP):	70 °F & 14.696 PSIA (other available on request).
MAXIMUM INTERNAL GAS PRESSURE (STATIC):	DPC07/17/37/47/57/67/77: 120 PSIG DPC04/14: 50 PSIG
MAXIMUM INSTANTANEOUS DIFFERENTIAL PRESSURE ACROSS DIFFERENTIAL SENSOR:	DPC07/17/37/47/57/67/77: 12 PSID DPC04/14: 9.75 PSID
PROOF PRESSURE:	DPC07/17/37/47/57/67/77: 145 PSIG DPC04/14: 50 PSIG
VALVE TYPE:	Normally Closed.
VALVE MAXIMUM OPERATING PRESSURE (WITH UPSTREAM CONFIGURATION)	DPC04/07/14/17: (<2 sL/min) - 150 PSIG DPC17: (2 ÷ 5 sL/min) - 100 PSIG DPC17: (5 ÷ 20 sL/min) - 50 PSIG DPC37/47: 50 PSIG DPC57/67/77: 50 PSIG
OPERATING TEMPERATURE:	-10 to +60 °C (14 to 140 °F).
MOUNTING ATTITUDE SENSITIVITY:	DPC04/07/14/17/37/47: None. DPC57/67/77: Mount with valve cylinder vertical and upright position.
RELATIVE GAS HUMIDITY RANGE:	0 to 100% (Non -Condensing).
INGRESS PROTECTION:	IP40.
LEAK INTEGRITY:	1 x 10 ⁻⁹ sccs He max to the outside environment.
ANALOG OUTPUT SIGNALS:	Linear 0-5 Vdc (3000 ohms min. load impedance);
	Linear 0-10 Vdc (5000 ohms min. load impedance);
	Linear 4-20 mA (550 ohms maximum loop resistance) with power supply >= 14Vdc.
	Maximum noise 10mV peak to peak (for 0-5/0-10 Vdc output).
ANALOG SET POINT INPUT SIGNALS	Linear 0-5 Vdc, 0-10Vdc (100K input impedance).
	Linear 4-20mA (250 Ohm input impedance).
TRANSDUCER INPUT POWER:	12 to 26 Vdc, 150 mV maximum peak to peak output noise. Power consumption: 250 mA maximum for DPC04/07/14/17, 300mA maximum for DPC37/47. 24 to 26 Vdc for DPC57/67/77 (Power consumption: 650 mA maximum) circuit board have built-in polarity reversal protection, 300mA (750mA for DPC57/67/77) resettable fuse provide power input protection.
DIGITAL OUTPUT SIGNALS ²:	Standard RS-232 or RS-485 (user selectable). Optional Modbus over isolated RS-485 transceiver.
**MATERIALS FLUID CONTACT:	316 stainless steel, 416 stainless steel, high temperature polyamide, alumina ceramic, poxy, silicone, glass, gold. FKM O-rings.

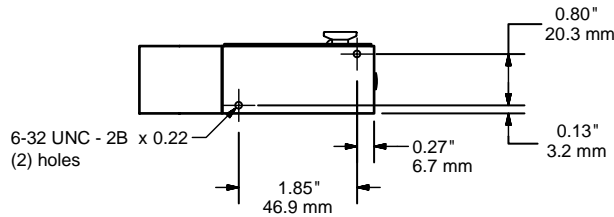
1. For DPC with full scale 20 sml/min and lower the response time may be slightly longer.

2. Digital Signal provide access to Mass Flow, Volumetric Flow, Pressure, Temperature, Totalizers, Alarms.

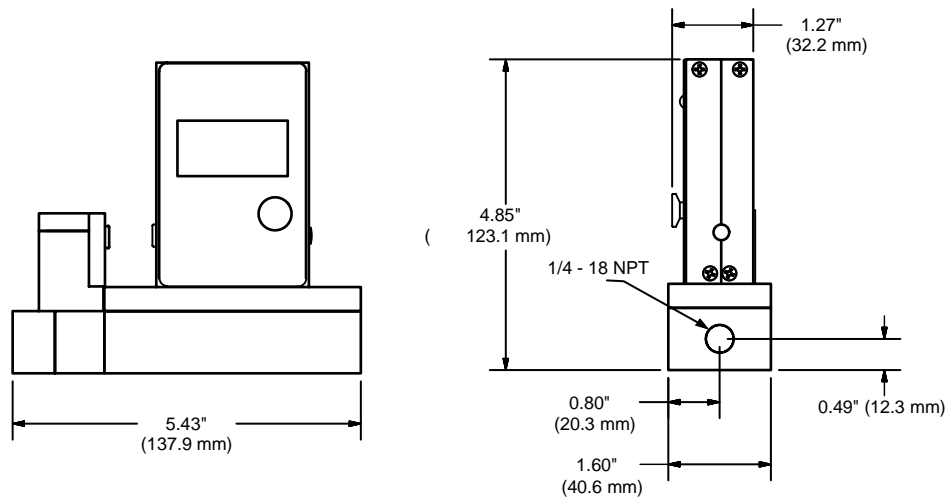
**The selection of materials of construction, is the responsibility of the customer. The company accepts no liability.



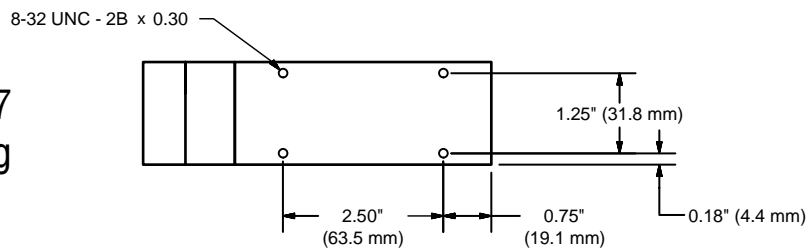
DPC04/14 and DPC07/17
Dimensional Drawing



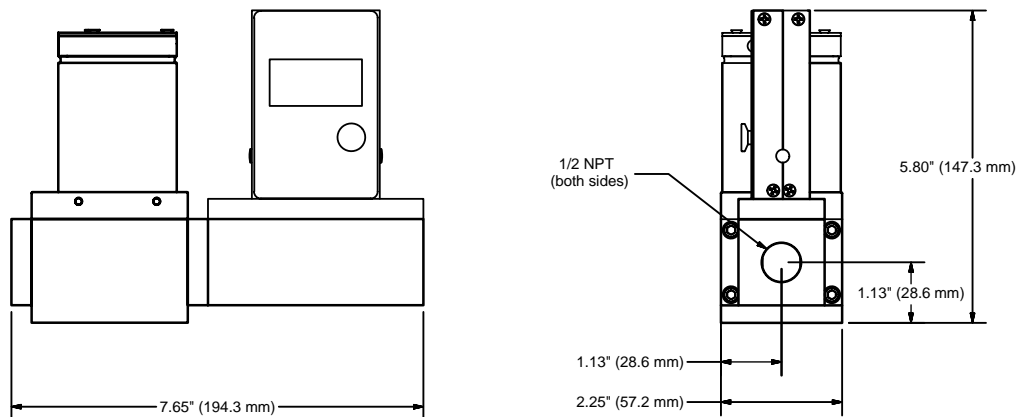
	A	B	C	D
DPC04 / 07	3.68" (93.4 mm)	4.58" (116.2 mm)	0.34" (8.5 mm)	10-32 UNF
DPC14	3.85" (97.7 mm)	4.84" (122.8 mm)	0.42" (10.7 mm)	1/4 NPT
DPC17	3.66" (92.9 mm)	4.40" (111.8 mm)	0.35" (8.9 mm)	1/8 NPT



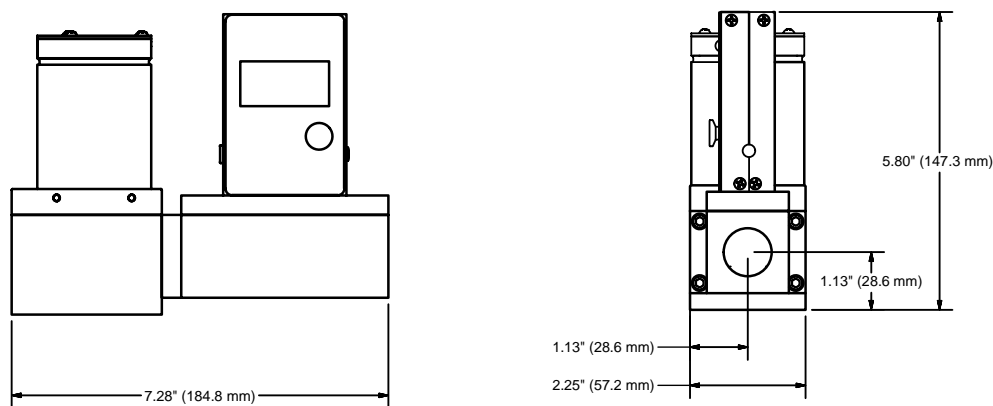
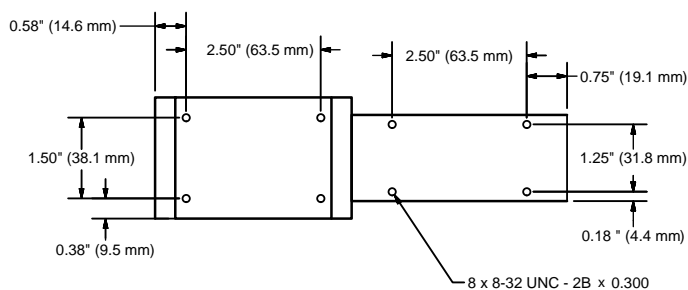
DPC37 and DPC47
Dimensional Drawing



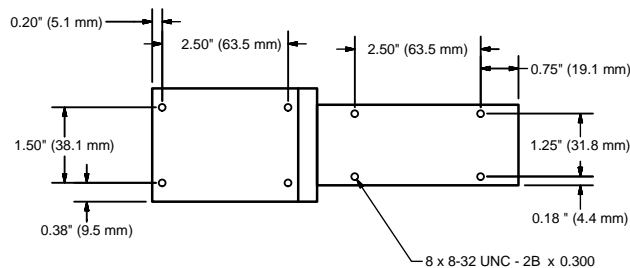
NOTE: Aalborg® reserves the right to change designs and dimensions at its sole discretion at any time without notice. For certified dimensions please contact Aalborg®.



DPC 57
Dimensional
Drawing



DPC67 and DPC77
Dimensional
Drawing



NOTE: Aalborg® reserves the right to change designs and dimensions at its sole discretion at any time without notice. For certified dimensions please contact Aalborg®.

Configure and Order Online: [DPC Mass Flow Controller](#)

DPC	MODEL																						
	<table border="1"> <tr> <th colspan="2">MAX FLOW (Air)</th> </tr> <tr> <td rowspan="7">Standard Pressure Drop</td> <td>07</td> <td>0.5 sL/min to 50 sL/min</td> </tr> <tr> <td>17</td> <td>51 sL/min to 20 sL/min</td> </tr> <tr> <td>37</td> <td>21 sL/min to 50 sL/min</td> </tr> <tr> <td>47</td> <td>51 sL/min to 100 sL/min</td> </tr> <tr> <td>57</td> <td>250 sL/min</td> </tr> <tr> <td>67</td> <td>500 sL/min</td> </tr> <tr> <td>77</td> <td>1000 sL/min</td> </tr> <tr> <td rowspan="2">Breeze™ Low Pressure Drop</td> <td>04</td> <td>0.5 sL/min to 20 sL/min</td> </tr> <tr> <td>14</td> <td>21 sL/min to 2 sL/min</td> </tr> </table>	MAX FLOW (Air)		Standard Pressure Drop	07	0.5 sL/min to 50 sL/min	17	51 sL/min to 20 sL/min	37	21 sL/min to 50 sL/min	47	51 sL/min to 100 sL/min	57	250 sL/min	67	500 sL/min	77	1000 sL/min	Breeze™ Low Pressure Drop	04	0.5 sL/min to 20 sL/min	14	21 sL/min to 2 sL/min
MAX FLOW (Air)																							
Standard Pressure Drop	07	0.5 sL/min to 50 sL/min																					
	17	51 sL/min to 20 sL/min																					
	37	21 sL/min to 50 sL/min																					
	47	51 sL/min to 100 sL/min																					
	57	250 sL/min																					
	67	500 sL/min																					
	77	1000 sL/min																					
Breeze™ Low Pressure Drop	04	0.5 sL/min to 20 sL/min																					
	14	21 sL/min to 2 sL/min																					
	<table border="1"> <tr> <th colspan="2">MATERIAL</th> </tr> <tr> <td>S</td> <td>Stainless Steel</td> </tr> </table>	MATERIAL		S	Stainless Steel																		
MATERIAL																							
S	Stainless Steel																						
	<table border="1"> <tr> <th colspan="2">SEALS</th> </tr> <tr> <td>V</td> <td>FKM</td> </tr> </table>	SEALS		V	FKM																		
SEALS																							
V	FKM																						
	<table border="1"> <tr> <th colspan="2">CONNECTIONS</th> </tr> <tr> <td>0</td> <td>Not Included (Optional Accessory)</td> </tr> </table>	CONNECTIONS		0	Not Included (Optional Accessory)																		
CONNECTIONS																							
0	Not Included (Optional Accessory)																						
	<table border="1"> <tr> <th colspan="2">OLED READOUT</th> </tr> <tr> <td>N</td> <td>NO Display</td> </tr> <tr> <td>L</td> <td>OLED Readout</td> </tr> </table>	OLED READOUT		N	NO Display	L	OLED Readout																
OLED READOUT																							
N	NO Display																						
L	OLED Readout																						
	<table border="1"> <tr> <th colspan="2">POWER</th> </tr> <tr> <td>6</td> <td>Universal 12 to 26 Vdc (24-26 Vdc for DPC57/67/77)</td> </tr> </table>	POWER		6	Universal 12 to 26 Vdc (24-26 Vdc for DPC57/67/77)																		
POWER																							
6	Universal 12 to 26 Vdc (24-26 Vdc for DPC57/67/77)																						
	<table border="1"> <tr> <th colspan="2">SET POINT ANALOG INPUT SIGNAL</th> </tr> <tr> <td>A</td> <td>0-5 Vdc</td> </tr> <tr> <td>B</td> <td>4-20 mA</td> </tr> <tr> <td>M</td> <td>0-10 Vdc</td> </tr> </table>	SET POINT ANALOG INPUT SIGNAL		A	0-5 Vdc	B	4-20 mA	M	0-10 Vdc														
SET POINT ANALOG INPUT SIGNAL																							
A	0-5 Vdc																						
B	4-20 mA																						
M	0-10 Vdc																						
	<table border="1"> <tr> <th colspan="2">OUTPUT SIGNAL</th> </tr> <tr> <td>A</td> <td>0-5 Vdc</td> </tr> <tr> <td>B</td> <td>4-20 mA</td> </tr> <tr> <td>M</td> <td>0-10 Vdc</td> </tr> </table>	OUTPUT SIGNAL		A	0-5 Vdc	B	4-20 mA	M	0-10 Vdc														
OUTPUT SIGNAL																							
A	0-5 Vdc																						
B	4-20 mA																						
M	0-10 Vdc																						
	<table border="1"> <tr> <th colspan="2">DIGITAL INTERFACE</th> </tr> <tr> <td>2</td> <td>RS232</td> </tr> <tr> <td>5</td> <td>RS485</td> </tr> <tr> <td>3</td> <td>RS232 with Modbus</td> </tr> <tr> <td>4</td> <td>RS485 with Modbus</td> </tr> </table>	DIGITAL INTERFACE		2	RS232	5	RS485	3	RS232 with Modbus	4	RS485 with Modbus												
DIGITAL INTERFACE																							
2	RS232																						
5	RS485																						
3	RS232 with Modbus																						
4	RS485 with Modbus																						
DPC	17 S - V 0 L 6 - A A 3																						

EXAMPLE: DPC17S-VOL6-AA3

SPECIFY: Flow Range, Gas and Pressure *n.a. = not applicable.

DPC17, 316 stainless steel, FKM seals, with OLED readout 12-26 Vdc, 0-5 Vdc input signal, 0-5 Vdc output signal, RS 232 with Modbus

GFM

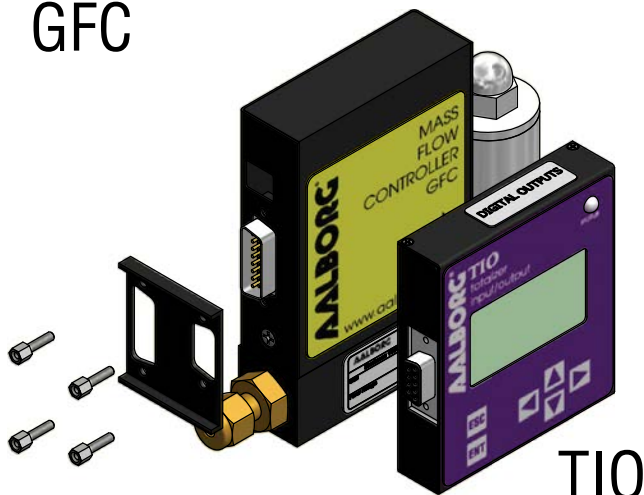


TIO



GFM with TIO Mounted

GFC



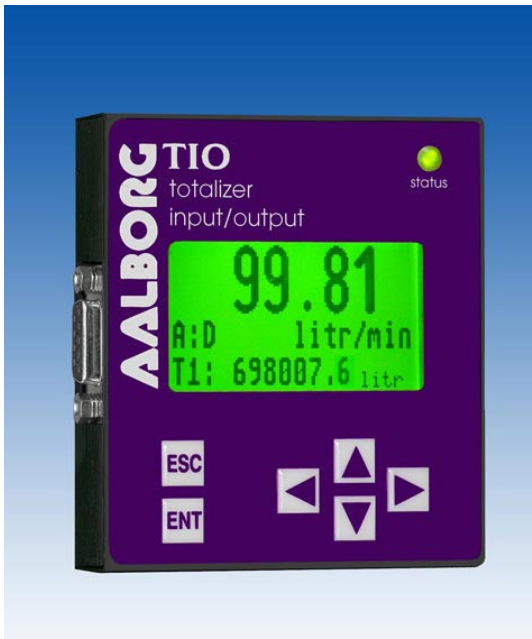
TIO



GFC with TIO Mounted

Design Features

- Displays instantaneous, total and accumulated flow rates.
- Built-in Flow Linearizer (10 point linearization of the flow curve).
- Up to 47 different volumetric and mass flow engineering units.
- Large 13mm (0.51") digits for flow rate and 5.5mm (0.21") for Total.
- Digital RS-232 or RS-485 interface (multi-drop capability of up to 64 devices.)
- Compact design for unit mount, panel mount, wall mount or field mount applications.
- User-programmable, optically-isolated pulse output.
- Two programmable, optically-isolated, digital outputs.
- Flow controllers, set point command control via local LCD or digital interface.
- Programmable set point table with ramping up/down capability up to 16 steps.
- Free Configuration and Monitoring Utility software.



Applications

For flow meters and controllers with analog 0-5 (5-10) (0-10)Vdc, 4-20mA input output interface, where flow indications / control and totalizers or alarm functions are required. Also when re-transmission of the flow rate and/or totalizer functions via optically-isolated pulse output or serial communication is desired. Local or programmable set point control for flow controllers (no host PC presence required). Activation of user-supplied equipment via programmable optically-isolated digital outputs when flow alarms or totalizers events are active.

Display

The graphical LCD display has large 13mm (0.51") digits for flow rate and 5.5mm (0.21") for total and can be set by user to simultaneously show different combination of the flow parameters: flow rate, totalizers, flow alarms, and diagnostic events. All configuration parameter settings are easily accessed via a simple user-interface menu driven by a 6 button keypad which can be password-protected.

Design Features

- 0-5 Vdc (Input/Output) For flow meters and / or flow controllers, TIO provides jumpers selectable for 0-5 Vdc
- 5-10 Vdc (Output only) or 4-20 mA analog set point control signals. The flow rate set point can be adjusted
- 0-10 Vdc (Input/Output) locally via keypad, remotely via host PC using digital communication interface, or pro-
- 4-20 mA (Input/Output) grammed in advance using built-in 16 steps batch table with ramping up/down support.

Programmable Pulse Output

The programmable flow pulse output is operating independently from totalizers and based on configuration settings can provide pulse frequency proportional to instantaneous fluid flow rate.

The LCD/keypad and digital communication interface commands are provided to:

- Enable/Disable Pulse Output.
- Configure Pulse Output start flow rate (in % of full scale).
- Configure the Unit/Pulse value (in current volumetric or mass flow units).
- Configure Pulse Active On Time (10 - 6550 ms).

Programmable Totalizers

TIO provides two independent programmable flow totalizers. Both totalizers are updated every 100 ms and can be set to activate different events. Main totalizer accumulated total is backed-up in EEPROM memory every second.

The LCD/keypad and digital communication interface commands are provided to:

- Enable/Disable totalizing the flow.
- Start the totalizer at a preset flow rate (in % of full scale).
- Assign action at a preset total volume (Event Volume).
- Configure power on delay (in seconds).
- Configure Auto Reset at preset volume.
- Configure Auto Reset delay (in seconds).
- Reset the totalizer to ZERO.

Programmable Alarms

TIO provides the user with a flexible alarm/warning system that monitors the fluid flow for conditions that fall outside configurable limits as well as visual feedback for the user via the LCD or via an optically-isolated output. The flow alarm has several attributes which can be configured by the user via LCD/Keypad or digital communication interface:

- Enable/Disable flow alarm.
- Low flow alarm settings (in % of full scale).
- High flow alarm settings (in % of full scale).
- Flow alarm action delay.
- Flow alarm action latch mode.

Digital Communication

All process data and settings can be read and modified manually via local LCD Keypad or through the digital RS-232 or RS-485 communication interface. Proprietary ASCII software interface command set and free Communication Utility software are provided.

TABLE 30 - SPECIFICATIONS

ADC/DAC RESOLUTION:	12 bit.
ANALOG INPUTS	0-5 Vdc, 4-20 mA, 5-10 Vdc (jumper-selectable), 0-10 Vdc (special order)
ANALOG OUTPUTS:	0-5 Vdc, 4-20 mA (jumper-selectable)
LCD:	128x64 graphic LCD with instantaneous Flow reading and Total volume indication. Adjustable LCD contrast and back light.
KEYPAD:	Local 6 tactical push buttons.
PULSE OUTPUT:	User-programmable, optically-isolated, with preset active low time interval (10 – 6550 ms).
DIGITAL OUTPUT:	Two programmable, optically-isolated, UCE @ 40Vdc, ICE @ 150 mA (Voltage Isolation: 250 Vrms).
DIGITAL INTERFACE: PROTOCOL: SPEED: CONFIGURATION:	RS-232 or RS-485 (multi-drop capability up to 64 devices) Proprietary ASCII software interface command set. 1200 - 2400 - 4800 - 9600 -19200 – 38400 – 57600 – 115200 baud (user selectable). Stop bit: 1 Data bits: 8 Parity: None Flow Control: None
ADDRESSING: TYPE:	Maximum 255 addresses (for RS-485 option only). RS232 or RS485 2-wire. RS232 or RS485 2-wire.
POWER REQUIREMENTS:	12 – 26 Vdc (up to 60 mA maximum).
INTERFACE CONNECTORS:	Process I/O signals and Digital RS-232/RS-485 interface – miniature 9 pin female D-SUB connector. Digital optically-isolated outputs: TERM BLOCK HEADER 4POS 3.5MM Male Pins, Shrouded.
ENVIRONMENT:	Installation Level II, Pollution Degree II, (Per IEC 664).
ELECTROMAGNETIC COMPATIBILITY:	Compliant ref. 89/336/EEC as amended. Emission Standard: EN 55011:1991, Group 1, Class A Immunity Standard: EN 55082- 1:1992
OPERATING TEMPERATURE:	-10 °C to +70 °C (14°F to +158 °F).
DIMENSIONS:	86.4 x 76.2 x 19.1 mm (3.4" x 3.0" x 0.75") - W x H x D.
WEIGHT:	Appr. 125g / 0.3 lbs.

TABLE 31 - TIO ACCESSORY'S

PART NUMBER	DESCRIPTION	WHEN REQUIRED
KIT-TM-DD	GFM flow meter mounting kit, shielded cable with two 9 pins D-connectors for process signals and communication branch.	GFM + digital communication with Host PC or PLC.
KIT-TM-RD	GFM flow meter mounting kit, 4 wire cable between GFM RJ11 and TIO 9 pin D-connector.	GFM (12 Vdc power option only), 5-10 Vdc input, no digital communication.
KIT-TM-FD	GFM flow meter mounting kit, flat wire cable between GFM and TIO 9 pin D-connectors.	GFM, 0-5Vdc input no digital communication.
KIT-TC-110NA-2C	GFC flow controller mounting kit, shielded cable with North America plug 110 Vac to 12 Vdc power supply, communication branch.	GFC, 0-5 Vdc input, North America 12 Vdc power supply, digital communication.
KIT-TC-110NA-2N	GFC flow controller mounting kit, shielded cable with North America plug 110 Vac to 12 Vdc power supply.	GFC, 0-5 Vdc input, North America 12 Vdc power supply.
KIT-TC-110NA-4C	GFC flow controller mounting kit, shielded cable with North America plug 110 Vac to 24 Vdc power supply, communication branch.	GFC, 0-5 Vdc input, North America 24 Vdc power supply, digital communication.
KIT-TC-110NA-4N	GFC flow controller mounting kit, shielded cable with North America plug 110 Vac to 24 Vdc power supply.	GFC, 0-5 Vdc input, Europe 12 Vdc power supply.
KIT-TC-230EU-2C	GFC flow controller mounting kit, shielded cable with EUROPE plug 230 Vac to 12 Vdc power supply, communication branch.	GFC, 0-5 Vdc input, Europe 12 Vdc power supply, digital communication.
KIT-TC-230EU -2N	GFC flow controller mounting kit, shielded cable with EUROPE plug 230 Vac to 12 Vdc power supply.	GFC, 0-5 Vdc input, Europe 24 Vdc power supply.
KIT-TC-230EU -4C	GFC flow controller mounting kit, shielded cable with EUROPE plug 230 Vac to 24 Vdc power supply, communication branch.	GFC, 0-5 Vdc input, Europe 24 Vdc power supply, digital communication.
KIT-TC-230EU -4N	GFC flow controller mounting kit, shielded cable with EUROPE plug 230 Vac to 24 Vdc power supply.	GFC, 0-5 Vdc input, Australia 12 Vdc power supply.
KIT-TC-240AU-2C	GFC flow controller mounting kit, shielded cable with AUSTRALIA plug 240 Vac to 12 Vdc power supply, communication branch.	GFC, 0-5 Vdc input, Australia 12 Vdc power supply digital communication.
KIT-TC-240AU-2N	GFC flow controller mounting kit, shielded cable with AUSTRALIA plug 240 Vac to 12 Vdc power supply.	GFC, 0-5 Vdc input, Australia 24 Vdc power supply.
KIT-TC-240AU-4C	GFC flow controller mounting kit, shielded cable with AUSTRALIA plug 240 Vac to 24 Vdc power supply, communication branch.	GFC, 0-5 Vdc input, Australia 24 Vdc power supply digital communication.
KIT-TC-240AU-4N	GFC flow controller mounting kit, shielded cable with AUSTRALIA plug 240 Vac to 12 Vdc power supply.	GFC, 0-5 Vdc input, UK 12 Vdc power supply.
KIT-TC-240UK-2C	GFC flow controller mounting kit, shielded cable with UK plug 240 Vac to 12 Vdc power supply, communication branch.	GFC, 0-5 Vdc input, UK 12 Vdc power supply digital communication.
KIT-TC-240UK -2N	GFC flow controller mounting kit, shielded cable with UK plug 240 Vac to 12 Vdc power supply.	GFC, 0-5 Vdc input, UK 24 Vdc power supply.
KIT-TC-240UK -4C	GFC flow controller mounting kit, shielded cable with UK plug 240 Vac to 24 Vdc power supply, communication branch.	GFC, 0-5 Vdc input, UK 24 Vdc power supply digital communication.
KIT-TC-240UK-4N	GFC flow controller mounting kit, shielded cable with UK plug 240 Vac to 24 Vdc power supply.	GFC, 0-5 Vdc input, UK 24 Vdc power supply.
KIT-TC-240UK-2AC	GFC flow controller mounting kit, shielded cable with UK plug 240 Vac to 12 Vdc power supply, communication branch, analog 4-20 mA output branch from GFC.	GFC, 0-5 Vdc input, UK 12 Vdc power supply, digital communication, analog 4-20 mA output branch from GFC.
KIT-TC-240UK-4AC	GFC flow controller mounting kit, shielded cable with UK plug 240 Vac to 24 Vdc power supply, communication branch, analog 4-20 mA output branch from GFC.	GFC, 0-5 Vdc input, UK 24 Vdc power supply, digital communication, analog 4-20 mA output branch from GFC.
KIT-TM	GFM flow meter mounting kit, no cables.	GFM, user-supplied custom cables.
KIT-TC	GFC flow controller mounting kit, no cables.	GFC, user-supplied custom cables.
CBL-DA9-X	9 conductor round shielded cable consisting of a 9 pin Female "D" Sub-Connector (plug) on one end, and loose wires on the other end.	For TIO stand alone option, user-supplied power supply.

Note: X – represent the length of the cable in feet.



Configure and Order Online: [TIO Accessory Totalizer Input/Output](#)

TIO	MODEL										
<table border="1"> <tr> <th colspan="2">DISPLAY / KEYPAD</th> </tr> <tr> <td>N</td> <td>No Display / No Keypad</td> </tr> <tr> <td>L</td> <td>LCD / Keypad</td> </tr> </table>		DISPLAY / KEYPAD		N	No Display / No Keypad	L	LCD / Keypad				
DISPLAY / KEYPAD											
N	No Display / No Keypad										
L	LCD / Keypad										
<table border="1"> <tr> <th colspan="2">INPUT SIGNAL</th> </tr> <tr> <td>A</td> <td>0-5 Vdc</td> </tr> <tr> <td>B</td> <td>4-20 mA</td> </tr> <tr> <td>C</td> <td>0-10 Vdc</td> </tr> <tr> <td>D</td> <td>5-10 Vdc</td> </tr> </table>		INPUT SIGNAL		A	0-5 Vdc	B	4-20 mA	C	0-10 Vdc	D	5-10 Vdc
INPUT SIGNAL											
A	0-5 Vdc										
B	4-20 mA										
C	0-10 Vdc										
D	5-10 Vdc										
<table border="1"> <tr> <th colspan="2">OUTPUT SIGNAL</th> </tr> <tr> <td>A</td> <td>0-5 Vdc</td> </tr> <tr> <td>B</td> <td>4-20 mA</td> </tr> <tr> <td>C</td> <td>0-10 Vdc</td> </tr> </table>		OUTPUT SIGNAL		A	0-5 Vdc	B	4-20 mA	C	0-10 Vdc		
OUTPUT SIGNAL											
A	0-5 Vdc										
B	4-20 mA										
C	0-10 Vdc										
<table border="1"> <tr> <th colspan="2">DIGITAL INTERFACE</th> </tr> <tr> <td>2</td> <td>RS-232</td> </tr> <tr> <td>5</td> <td>RS-485</td> </tr> </table>		DIGITAL INTERFACE		2	RS-232	5	RS-485				
DIGITAL INTERFACE											
2	RS-232										
5	RS-485										
TIO	—	L	A	A	2						

EXAMPLE: TIO-LAA2

Totalizer I/O Flow Monitor / Controller with LCD Keypad, 0-5 Vdc Input, 0-5 Vdc Output and RS-232 Digital Interface.

Programmable Mass Flow Controller with Digital Signal Processing

Microprocessor driven **digital** flow controllers allow one to program, record, and analyze flow rates of various gases with a computer via an RS-485 interface. Optional RS-232 is available.

Controllers can be programmed for various control functions including flow set point, totalizer, stop totalizer, read totalizer, totalizer from preset flow, stop at preset total, auto zero, and more.



DFC with
optional
LCD readout



Design Features

- Digital and Analog modes operate simultaneously.
- Programmable Flow Configurations.
- Multi-Drop Capability of up to 256 units.
- Stores calibration data for up to 10 gases.
- Auto Tune function for optimum control response.
- Free PC Software with Gas Blending and Programmable Flow functions.
- Totalizer indicates total gas quantity.
- Alarm limits for high and low gas flow.
- Conversion factors for up to 256 gases.
- Self-Diagnostic Tests.

Principles of Operation

Metered gases are divided into two laminar flow paths, one through the primary flow conduit, and the other through a capillary sensor tube. Both flow conduits are designed to ensure laminar flows and therefore the ratio of their flow rates is constant.

Two precision temperature sensing windings on the sensor tube are heated, and when flow takes place, gas carries heat from the upstream to the downstream windings. The resultant temperature differential is proportional to the change in resistance of the sensor windings.

A Wheatstone bridge design is used to monitor the temperature dependent resistance gradient on the sensor windings which is linearly proportional to the instantaneous rate of flow. The output of the Wheatstone bridge is converted to digital format with a 12 Bit ADC (analog to digital converter).

An on-board microprocessor and non-volatile memory store all calibration factors and directly control a proportionating electromagnetic valve. The digital closed loop control system continuously compares the mass flow output with the selected flow rate.

Deviations from the set point are corrected by compensating valve adjustments, with PID algorithm thus maintaining the desired flow parameters with a high degree of accuracy. Output signals of 0 to 10Vdc, 0 to 5Vdc or 4 to 20mA are generated indicating mass molecular based flow rates of the metered gas.

Interface

The digital RS-485 (optional RS-232) interface provides access to applicable internal data including **FLOW SET POINT, ACTUAL FLOW, ZERO ADJUSTMENTS, and LINEARIZATION TABLE ADJUSTMENTS.**

The analog interface provides 0 to 5Vdc, 0 to 10Vdc and 4 to 20 mA inputs and outputs.

Auto Zero

The DFC automatically nulls the sensor zero offset whenever the flow set point is below 2% of full scale. To accommodate this feature the control valve must fully close under that condition. Provisions are made to either disable, force or store the current auto zero via digital commands.

Totalizer

The firmware for the DFC provides functions to register total gas quantity. The total mass of gas is calculated by integrating the actual gas flow rate with respect to time.

Digital interface commands are provided to:

- Set the totalizer to zero.
- Start /stop totalizing the flow.
- Read the totalizer.
- Start the totalizer at a preset flow.
- Stop the flow at a preset total.

Multi-Gas Calibration

The DFC is capable of storing primary calibration data for up to 10 gases. This feature allows the same DFC to be calibrated for multiple gases while maintaining the rated accuracy on each.

Conversion Factors

Conversion factors for up to 256 gases are stored in the DFC. Conversion factors may be applied to any of the ten gas calibrations via digital interface commands.

Flow Alarms

High and Low gas flow ALARM limits are programmed using the digital interface. Alarm conditions are reported via the digital interface or can activate the contact closure outputs.

Gas Blending Feature

Aalborg free software allows controlling flow of the Gas mixture of up to eight different gases (for RS-485 bus with 8 DFC controllers) with preset values of the ratio in % for each channel. The flow rate of the Gas Mixture can be incremented or decremented within allowable range (based on Full Scale range of all DFC controllers in the mixture system) by changing the Gas Mixture set point settings. The software will automatically adjust individual set point for each device according to set ratios.

Programmable Flow

Aalborg software supports programmable flow modes, allowing execution of custom programming of up to ten steps. Various flow configurations include ramping, linearized increasing and decreasing modes.

Auto Tune

The AUTO TUNE function allows the DFC to automatically optimize control response for the gas under actual process conditions. During the AUTO TUNE process, the instrument adjusts PID gains for optimum step response and determine key control valve characteristics (only available on units with less than 80 L/min maximum flow).

Contact Closure

Two sets of dry contact relay outputs are provided to actuate user supplied equipment. These are programmable via the digital interface such that the relays can be made to switch when a specified event occurs (e.g. when a low or high flow alarm limit is exceeded or when the totalizer reaches a specified value).

Valve Override

Means are provided to force the control valve fully open (purge) or fully closed via either the analog or digital interfaces.

Self-Diagnostics

Whenever power is first applied, the DFC runs a series of SELF-DIAGNOSTIC TESTS to ensure that it is in optimum working condition.

Engineering Units

The flow set point, measured gas flow and associated totalizer data is scaled directly in engineering units via digital interface commands. The following units of measure are supported: % of FS, mL/min, mL/hr, scfm, scfh, L/min, L/hr, lbs/hr, lbs/min, and one user defined unit of measure.

Leak Integrity

1×10^{-9} smL/sec of Helium maximum to the outside environment.

Balanced Power Supply

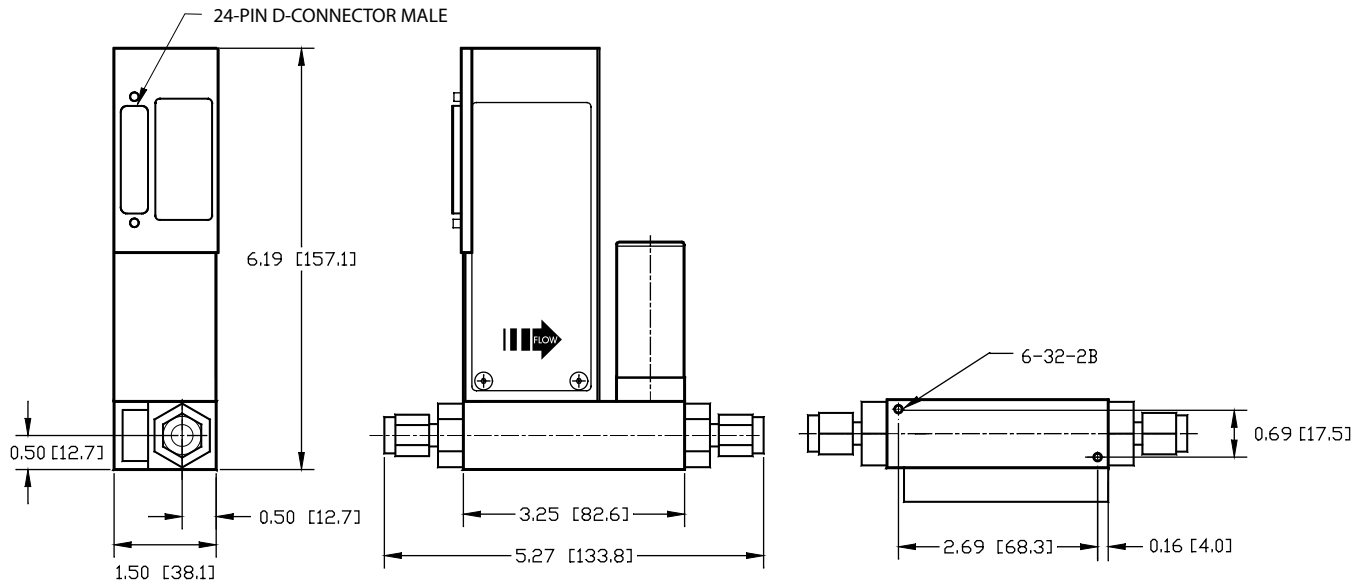
The DFC operates on ± 15 Vdc. The current requirements for the positive and negative power supplies are balanced such that the current in the power supply common connection is minimized. Maximum power consumption is 13.5 watts at ± 15 Vdc.

TABLE 32 - SPECIFICATIONS

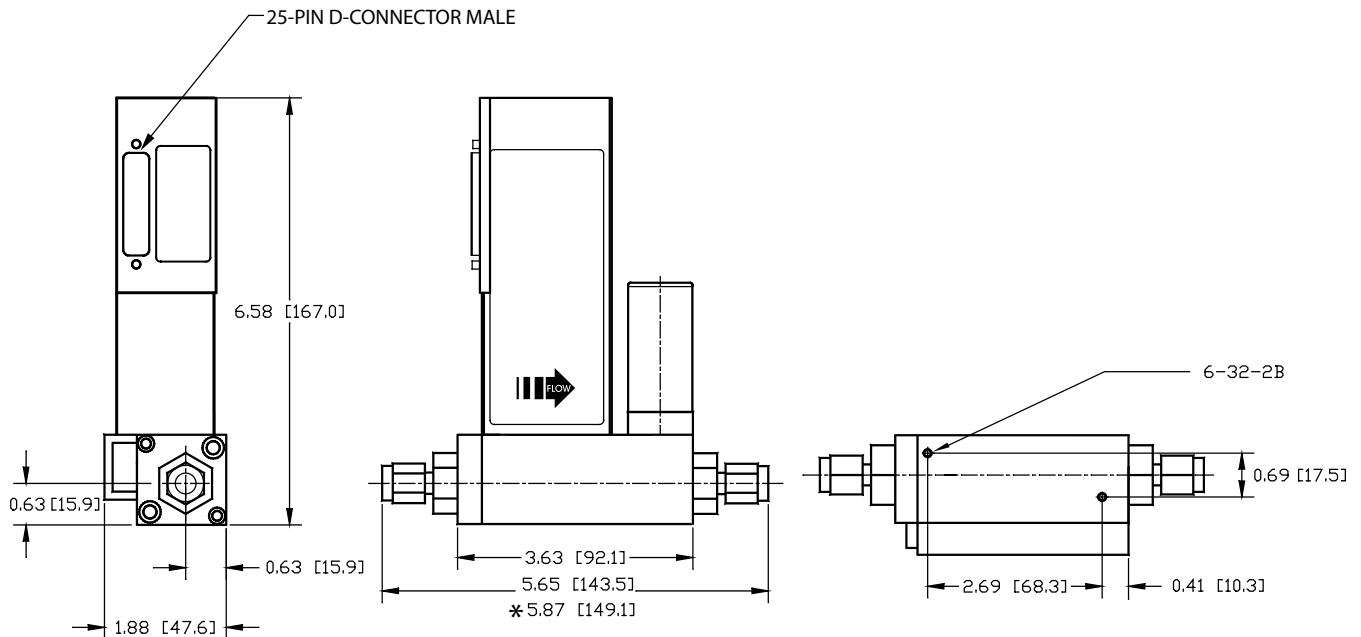
ACCURACY:	±1% of FS at calibration temperature and pressure.
CALIBRATIONS:	Performed at standard conditions [14.7 psia (101.4 kPa) and 70 °F (21.1 °C)] unless otherwise requested.
REPEATABILITY:	±0.15% of full scale.
RESPONSE TIME:	1.0 to 2.0 second to within ±2% of set point over 20% to 100% of full scale.
TEMPERATURE COEFFICIENT:	0.05% of full scale/ °F or better.
PRESSURE COEFFICIENT:	0.01% of full scale /psi (0.07 bar) or better.
OPTIMUM GAS PRESSURE:	25 psig (1.73 bars).
MAXIMUM GAS PRESSURE:	1000 psig (70 bars).
MAXIMUM DIFFERENTIAL PRESSURE:	50 psig (3.4 bars) for DFC 26 and DFC 36 40 psig (2.8 bars) for DFC 46
MAX PRESSURE DROP:	Refer to Table 35.
GAS AND AMBIENT TEMP:	32 °F to 122 °F (0 °C to 50 °C). 14 °F to 122 °F (-10 °C to 50 °C) - Dry gases only.
COMMUNICATION INTERFACE:	RS485 - Standard. RS232 - Optional.
OUTPUT SIGNALS:	Linear 0-5 Vdc (2000 ohms min load impedance); 0-10Vdc (4000 ohms min impedance); 4-20 mA optional (0-500 ohms\ loop resistance). Maximum noise 20mV peak to peak.
CIRCUIT PROTECTION:	Circuit boards have built-in polarity reversal protection. Resettable fuses provide power input protection.
**MATERIALS IN FLUID CONTACT:	316 stainless steel, 416 stainless steel, FKM O-rings. Optional O-rings: Buna®, EPR and FFKM.
ATTITUDE SENSITIVITY:	No greater than +15 degree rotation from horizontal to vertical; standard calibration is in horizontal position.
CONNECTIONS:	Model DFC 26/36: Standard 1/4" compression fittings. Optional: 6mm compression fittings or 3/8" compression fittings or 1/4" VCR® or 1/8" compression fittings (DFC 26). Model DFC 46: standard 3/8" compression fittings.
LEAK INTEGRITY:	1 x 10 ⁻⁹ smL/sec of helium maximum to the outside environment.
TRANSDUCER INPUT POWER:	+15Vdc, 450 mA maximum.
CALIBRATION OPTIONS:	Standard 10 point NIST traceable calibration. Optional up to 9 additional 10 point calibrations may be ordered for an additional charge.
CE COMPLIANCE:	EN 55011 class 1, class B; EN50082-1.

**The selection of materials of construction, is the responsibility of the customer. The company accepts no liability.

DFC 26 Mass Flow Controller



DFC 36/46 Mass Flow Controller



* FOR HIGH FLOW MASS FLOW CONTROLLERS

NOTE: Aalborg® reserves the right to change designs and dimensions at its sole discretion at any time without notice. For certified dimensions please contact Aalborg®.

TABLE 33 - FLOW RANGES FOR DFC

DFC 26 LOW FLOW CONTROLLERS		DFC 36 MEDIUM FLOW CONTROLLERS		DFC 46 HIGH FLOW CONTROLLERS	
CODE	Units [Nitrogen]	CODE	L/min [N ₂]	CODE	L/min [N ₂]
01	0 to 10 mL/min	11	0 to 15 L/min	40	0 to 60 L/min
02	0 to 20 mL/min	30	0 to 20 L/min	41	0 to 80 L/min
03	0 to 50 mL/min	31	0 to 30 L/min	42	0 to 100 L/min
04	0 to 100 mL/min	32	0 to 40 L/min		
05	0 to 200 mL/min	33	0 to 50 L/min		
06	0 to 500 mL/min				
07	0 to 1 L/min				
08	0 to 2 L/min				
09	0 to 5 L/min				
10	0 to 10 L/min				

TABLE 35 - MAXIMUM PRESSURE DROP FOR DFC

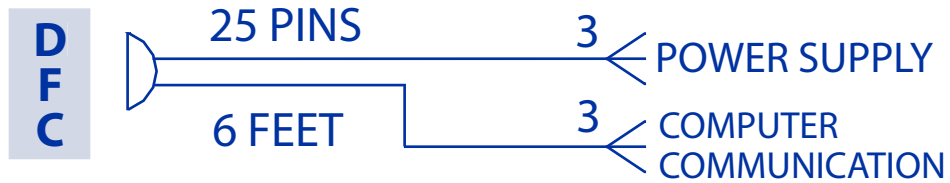
MODEL NO.	MAX. FLOW (N ₂)	MAXIMUM PRESSURE DROP		
		[mm H ₂ O]	[psid]	[mbar]
DFC 26	up to 10	720	1.06	75
	15	2630	3.87	266
DFC 36	20	1360	2.00	138
	30	2380	3.50	241
	40	3740	5.50	379
	50	5440	8.00	551
DFC 46	60	7480	11.00	758
	100	12850	18.89	1302

TABLE 34 - ACCESSORIES AND READOUTS FOR DFC

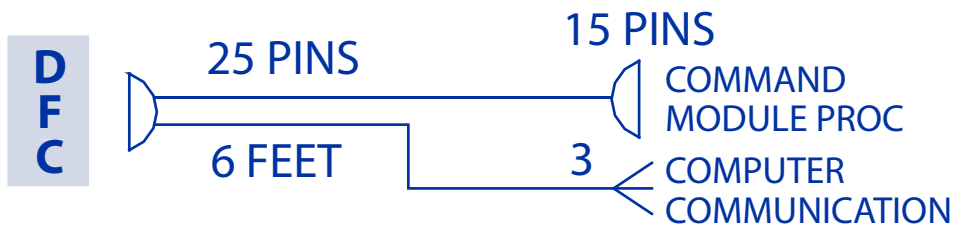
CBL-DFC	25 pin D-connector with 6 ft. wire to computer port stripped, Branch 6ft. wire to customers power supply.
CBL-DFC-DPM-AI	Cable stripped for DFC w/LCD jack and analog input for set point only.
CBL-DFC-DPM-AIO	Cable stripped for DFC with LCD jack and analog input/output.
CBLDFC-PROC	25 pin D-connector with 6ft. wire to 15 pin DM, Branch 6ft. wire to computer port stripped.
PS-DFC-110NA-5-S	Power supply with 25 pin female D-connector 110/vac (±15Vdc.) Branch 6ft wire to computer port stripped /North America.
PS-DFC-110NA-5-A	Power supply with 25 pin D-connector, analog interface 110/vac (+ - 15Vdc.) (North America).
PS-DFC-230EU-5-S	Power supply with 25 pin female D-connector 230/vac (±15Vdc.) Branch 6ft wire to computer port stripped /Europe.
PS-DFC-230EU-5-A	Power supply, 25 pin D-connector, analog interface 230/vac (+ - 15Vdc.) (Europe).
PS-DFC-240AU-5-S	Power supply with 25 pin female D-connector 240/vac (±15Vdc.) Branch 6ft wire to computer port stripped /Australia.
PS-DFC-240AU-5-A	Power supply, 25 pin D-connector, analog interface 240/vac (+ - 15Vdc.) (Australia).
PS-DFC-240UK-5-S	Power supply with 25 pin female D-connector 240/vac (±15Vdc.) Branch 6ft wire to computer port stripped /United Kingdom.
PS-DFC-240UK-5-A	Power supply, 25 pin D-connector, analog interface 240/vac (+ - 15Vdc.) (U.K).
BCKUPDFC	Digital panel meter / led backlight.
PS-DFC-110NA-5-S-D	Power supply DFC 110/Vac ±15Vdc standard interface and LCD jack. (United States).
PS-DFC-110NA-5-A-D	Power supply DFC 110/Vac ±15Vdc analog interface and LCD jack. (United States).
PS-DFC-230EU-5-S-D	Power supply DFC 230/vac +/-15Vdc standard interface and LCD jack. (Europe).
PS-DFC-230EU-5-A-D	Power supply DFC 230/vac +/-15Vdc analog interface and LCD jack. (Europe).
PS-DFC-240AU-5-S-D	Power supply DFC 240/vac +/-15Vdc standard interface and LCD jack. (Australia).
PS-DFC-240AU-5-A-D	Power supply DFC 240/vac +/-15Vdc analog interface and LCD jack. (Australia).
PS-DFC-240UK-5-S-D	Power supply DFC 240/vac +/-15Vdc standard interface and LCD jack. (United Kingdom).
PS-DFC-240UK-5-A-D	Power supply DFC 240/vac +/-15 Vdc analog interface and LCD jack. (United Kingdom).

Cable Options

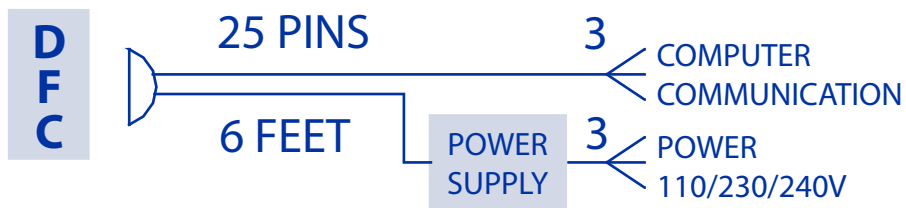
Standard Cable (supplied with Transducer) CBL-DFC



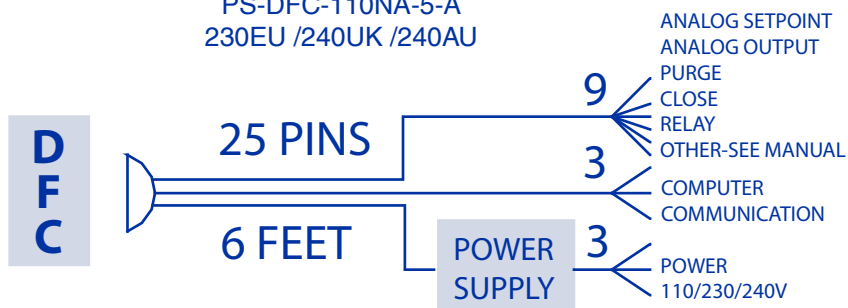
CBL-DFC-SDPROC



PS-DFC-110NA-5-S 230EU /240UK /240AU



PS-DFC-110NA-5-A
230EU /240UK /240AU



Configure and Order Online: [DFC Mass Flow Controller](#)

DFC	MODEL
MAX. FLOW (N ₂)	
26	10 L/min
36	50 L/min
46	100 L/min
MATERIAL	
S	Stainless Steel
SEALS	
V	FKM
B	Buna®
E	EPR
T	PTFE / FFKM
FITTINGS	
A	1/4" Compression
B	1/8" Compression
C	1/4" VCR®
D	3/8" Compression
H	6mm Compression
DISPLAY	
N	No Display
L	LCD Readout (Special interface cable is required).
POWER	
5	+15 Vdc
INPUT / OUTPUT SIGNAL	
C	0-5Vdc/ 0-5Vdc
D	0-5Vdc/ 4-20mA
E	4-20mA/ 4-20mA
F	4-20mA/ 0-5Vdc
H	0-5 Vdc/ 0-10Vdc
I	0-10Vdc/ 0-5 Vdc
J	0-10Vdc/ 0-10 Vdc
K	4-20 mA/ 0-10 Vdc
L	0-10 Vdc/ 4-20 mA
DIGITAL INTERFACE	
2	RS232
5	RS485

DFC	36	S	-	V	A	N	5	-	C	5
-----	----	---	---	---	---	---	---	---	---	---

EXAMPLE: DFC36S-VAN5-C5 50 L/min [N₂] 20 psig
SPECIFY: Flow Range, Gas and Pressure

DFC 36 stainless steel, FKM seals, 1/4" compression fittings, No display, +15 Vdc power, 0-5 Vdc/0-5 Vdc input output signal, RS485 digital interface.

Model **AF** mass flow controllers are designed to indicate flow rates and control set flow rates of gases.

Each of these units incorporates an advanced straight tube sensor in conjunction with flow passage elements constructed of stainless steel.

LCD readouts of command modules are supplied with 0 to 100 percent calibrations. Zero and span adjustments are conveniently accessible from outside of the transmitters.

Design Features

- Rigid metallic construction.
- Maximum pressure of 1000 psig (70 bars).
- 0-5 Vdc or 4-20mA signals.
- Leak integrity 1×10^{-9} smL/sec of helium.
- Accuracy of $\pm 1\%$ F.S.
- Totalizer option.
- Circuit protection.

Principles of Operation

Metered gases are divided into two laminar flow paths -one through the primary flow conduit and the other through a capillary sensor tube.

Both flow conduits are designed to ensure laminar flows and therefore the ratio of their flow rates is constant.

Two precision temperature sensing windings on the sensor tube are heated, and when flow takes place, gas carries heat from the upstream to the downstream windings. The resultant temperature differential is proportional to the change in resistance of the sensor windings.

A Wheatstone bridge design is used to monitor the temperature dependent resistance gradient on the sensor windings which is linearly proportional to the instantaneous rate of flow.

Output signals of 0 to 5Vdc or 4 to 20mA are generated indicating mass molecular based flow rates of the metered gas.

SDPROC and AFC Analog Mass Flow Controller



In AFC mass flow controllers the combined gas streams flow through a proportionating electromagnetic valve with an appropriately selected orifice. The closed loop control circuit continuously monitors the mass flow output and maintains it at the set flow rate.

Flow rates are unaffected by temperature and pressure variations within stated limitations.

Transducer power supply ports are fuse and polarity protected.

AFC mass flow controllers include an electromagnetic control valve that allows the flow to be set to any desired

flow rate within the range of the particular model. The valve is normally closed as a safety feature to ensure that gas flow is shut off in case of a power outage.

AFC mass flow controllers are designed to meter and control flow rates of gases.

AFC mass flow controllers are available with flow ranges from 10 mL/min to 100LPM [N₂]. Gases are connected by means of 1/4", 3/8", or optional 1/8" compression fittings.

These controllers may be used as bench top units or mounted by means of screws in the base.

TABLE 36 - SPECIFICATIONS

ACCURACY:	±1% of FS at calibration temperature and pressure.
CALIBRATIONS:	Performed at standard conditions [14.7 psia (101.4 kPa) and 70 °F (21.1°C)] unless otherwise stated.
REPEATABILITY:	±0.25% of full scale.
TIME CONSTANT:	AFC26: (Q _{max} = 10 L/min): 300 ms. AFC36: (Q _{max} = 50 L/min): 600 ms. AFC46: (Q _{max} = 100 L/min): 600 ms.
RESPONSE TIME:	AFC26: (Q _{max} = 10 L/min): Approximately 1 second to within ±2% of set flow rate for 25% to 100% of full scale flow. AFC36: (Q _{max} = 50 L/min) and AFC46: (Q _{max} =100 L/min): Approximately 2 second to within ±2% of set flow rate or 25% to 100% of full scale flow.
TEMPERATURE COEFFICIENT:	0.1% of full scale/ °C.
PRESSURE COEFFICIENT:	0.01% of full scale/psi (0.07 bar).
OPTIMUM GAS PRESSURE:	25 psig (1.73 bars).
MAXIMUM GAS PRESSURE:	1000 psig (70 bars) maximum. Standard calibration is at 20 psig (1.4 bars) inlet pressure.
MAX. PRESSURE DROP: (at full scale flow)	Refer to Table 38.
GAS AND AMBIENT TEMPERATURE:	32 °F to 122 °F (0 °C to 50 °C). 14 °F to 122 °F (-10 °C to 50 °C) - Dry gases only.
LEAK INTEGRITY:	1 x 10 ⁻⁹ sml/sec of helium maximum, to the outside environment.
**MATERIALS IN FLUID CONTACT:	316 stainless steel, 416 stainless steel, FKM O-rings. Optional O-rings: Buna®, EPR and FFKM.
ATTITUDE SENSITIVITY:	No greater than +15 degree rotation from horizontal to vertical; standard calibration is in horizontal position.
OUTPUT SIGNALS:	Linear 0-5 Vdc (2000 W min. load impedance); 4 - 20 mA optional (0 - 500 W loop resistance); maximum noise 20 mV peak to peak.
CONNECTIONS:	AFC26: 1/4" compression fittings. Optional: 6mm, 3/8" and 1/8" compression fittings or 1/4" VCR®. AFC36: 1/4" compression fittings. Optional: 6mm and 3/8" compression fittings or 1/4" VCR®. AFC 46: 3/8" compression fittings.
TRANSDUCER INPUT POWER:	AFC 26: +15 ±5% Vdc, 80 mA max, 1.2W; -15 ± 5% Vdc, 200 mA max, 3W; AFC 36 /AFC 46: +15 ±5% Vdc, 220 mA max, 3.3W; -15 ±5% Vdc, 600 mA max, 9W.
CIRCUIT PROTECTION:	Circuit boards have built-in polarity reversal protection. Replaceable fuses provide power input protection.

***The selection of materials of construction, is the responsibility of the customer. The company accepts no liability.*

Leak Integrity

1 x 10⁻⁹ smL/sec of helium max to outside environment.

Mass Flow Systems

Complete Mass Flow Systems include Command Modules, transducers and cables. Command modules contain appropriate power supplies, 24x2 alpha-numeric dot matrix display readout, and four panel buttons which provide complete control over all the various functions necessary to measure and/or control flow.

Optional built in Ethernet interface allows accessing any Internet-connected SDPROC from a browser on your work station, PC, or laptop computer.

TABLE 37 - FLOW RANGES FOR AFC

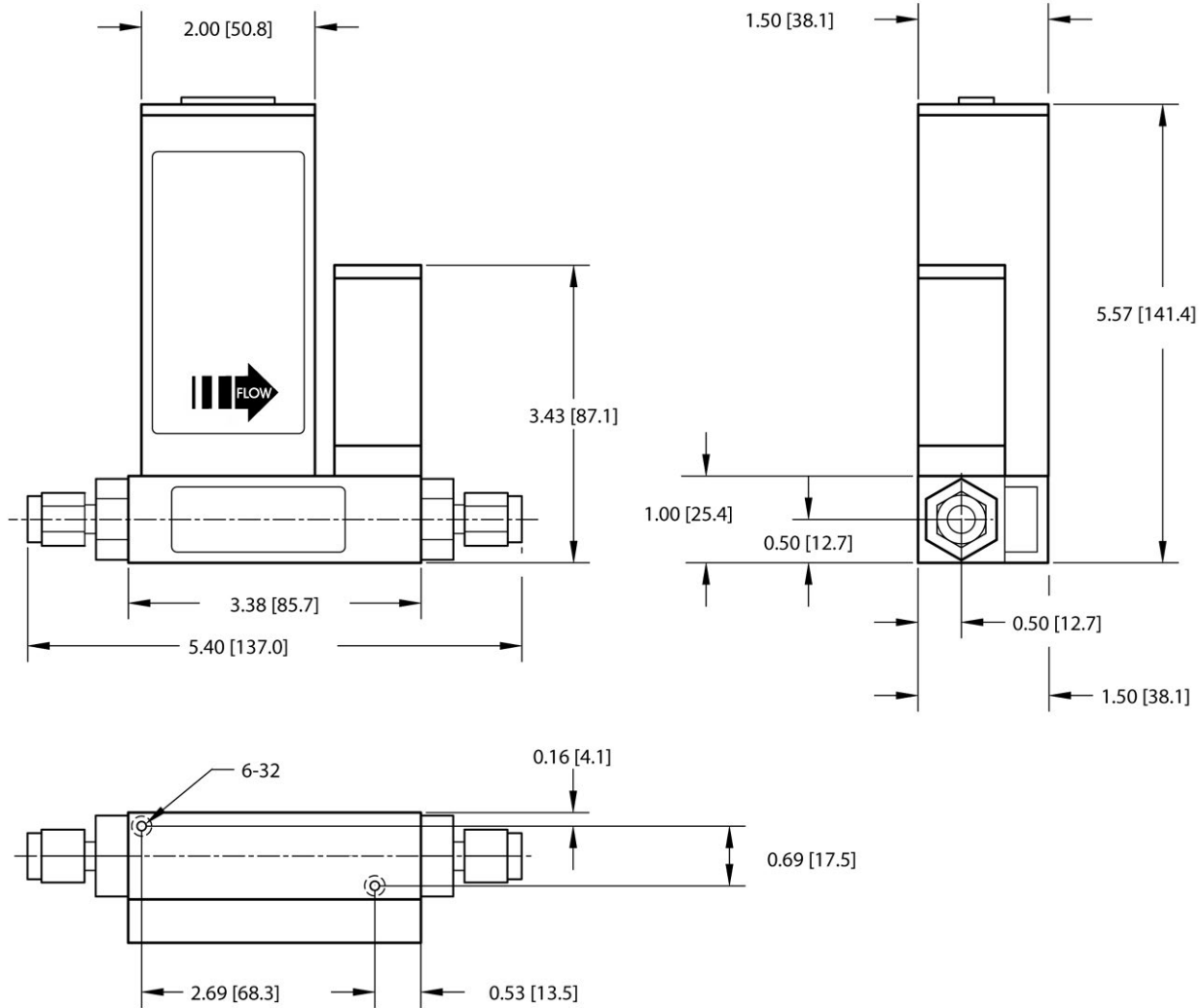
AFC 26	
CODE	UNITS [Nitrogen]
01	0 to 10 mL/min
02	0 to 20 mL/min
03	0 to 50 mL/min
04	0 to 100 mL/min
05	0 to 200 mL/min
06	0 to 500 mL/min
07	0 to 1 L/min
08	0 to 2 L/min
09	0 to 5 L/min
10	0 to 10 L/min
AFC 36	
11	0 to 15 L/min
30	0 to 20 L/min
31	0 to 30 L/min
32	0 to 40 L/min
33	0 to 50 L/min
AFC 46	
40	0 to 60 L/min
41	0 to 80 L/min
42	0 to 100 L/min

TABLE 38 - MAXIMUM PRESSURE DROP FOR AFC

FLOW RATE [liters/min]	AFC SERIES	
	[psid]	[bars]
up to 10	1.06	0.072
up to 15	3.87	0.26
up to 20	2.0	0.136
up to 30	3.5	0.238
up to 40	5.5	0.374
up to 50	8	0.544
up to 100	18.9	1.302

SDPROC and AFC Analog Mass Flow Controller

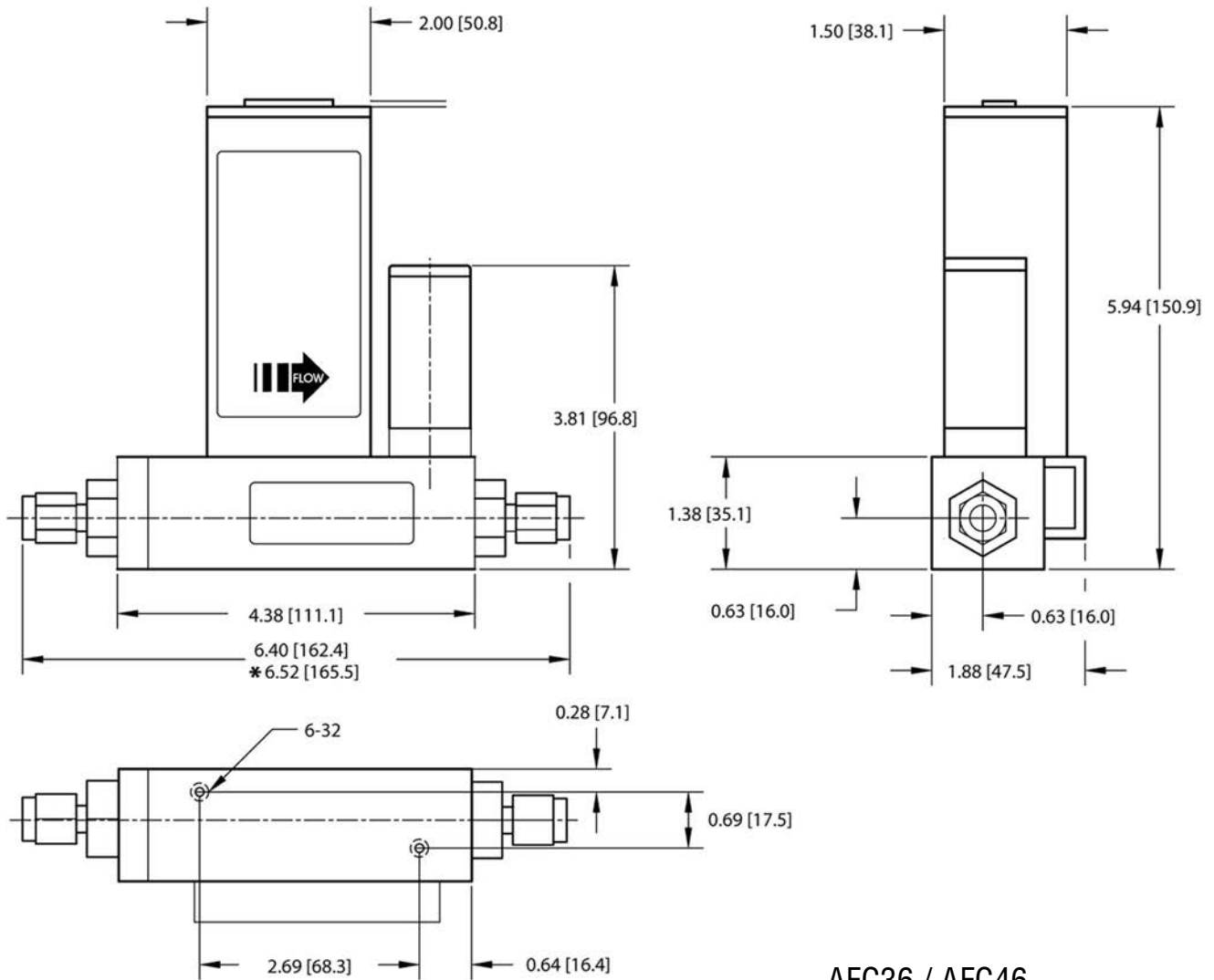




DIMENSIONS: INCH [mm]

AFC26
Analog Mass Flow Controller

NOTE: Aalborg® reserves the right to change designs and dimensions at its sole discretion at any time without notice. For certified dimensions please contact Aalborg®.



DIMENSIONS: INCH [mm] * FOR HIGH FLOW MASS FLOW CONTROLLER ONLY

AFC36 / AFC46
Mass Flow Controller

NOTE: Aalborg® reserves the right to change designs and dimensions at its sole discretion at any time without notice. For certified dimensions please contact Aalborg®.

Configure and Order Online: [AFC Mass Flow Controller](#)

AFC	MODEL
MAX FLOW (N ₂)	
26	10 L/min
36	50 L/min
46	100 L/min
MATERIAL	
S	Stainless Steel
SEALS	
V	FKM
B	Buna®
E	EPR
T	PTFE / FFKM
FITTINGS	
A	1/4" Compression
B	1/8" Compression
C	1/4" VCR®
D	3/8" Compression
H	6mm Compression
MODEL	
AFC 26, 36	
AFC 26, 36	
AFC 26, 36	
AFC 26, 36, 46	
AFC 26, 36	
DISPLAY	
N	NO Display
POWER	
5	+15 Vdc
INPUT / OUTPUT SIGNAL	
C	0-5Vdc / 0-5Vdc
D	0-5Vdc / 4-20mA
DIGITAL INTERFACE	
0	NONE

AFC	36	S	—	V	A	N	5	—	C	0
-----	----	---	---	---	---	---	---	---	---	---

EXAMPLE: AFC36S-VAN5-A0 50 L/min [N₂] 20 psig

SPECIFY: Flow Range, Gas and Pressure *n.a. = not applicable

AFC36 stainless steel, FKM seals with 1/4" compression fittings, without a display, ±15 Vdc, 0-5Vdc input/output signal, and no digital interface.

Smart Digital Command Module

**SDPROC**

Microprocessor driven digital Command Modules are used in conjunction with any analog or digital mass flow controllers with 0-5 Vdc input /output signals. One, two, three and four channel Command Module configurations are available. Command Modules contain appropriate power supplies, 24x2 alpha-numeric dot matrix display readout, and four panel buttons which provide complete control over all the various functions necessary to measure and/or control flow.

Programming

It is easy to program the SMART DPROC using a logically organized, modular menu. The operator quickly accesses a desired function by branching through the multi-level tree structure, rather than scrolling through the entire menu. RS-232 serial communication interface is standard for all models and supported via a 9 pin "D"-connector on the back panel of the Command Module. RS-232 Software interface commands set allows communications with the unit using either a custom software program or a "dumb terminal" and provide complete control over all modes and functions.

PROGRAMMABLE BATCH FLOW CONTROL

The Batch Flow Control allows execution of custom, user preset program of up to sixteen steps. During execution of the program the user can activate or deactivate the LOOP mode. Various flow configurations may be preprogrammed: ramping, pulsing, linearized increasing and/or decreasing of the flow.

Design Features

ENGINEERING UNITS

The flow set points, measured gas flow and associated totalizer data are scaled directly in engineering units via front panel keypad or RS-232.

The following units of measure are supported:

%F.S., SLPM, L/s, mL/min, mL/h, SCFM, SCFH, SCMM, SCMh, LBPM, LBPH, GRPM, GRPH.

USER SELECTABLE REFERENCE FOR SET POINT

The INTERNAL, EXTERNAL, PROGRAM refers to the point of origin for the Set Point signal.

In Internal reference mode, the user sets the control signal with SDPROC controls (via front panel keypad or RS-232).

In External reference mode, the user sets the control signal from a remote location (via the DATA IN/OUT 25-pin "D"-connector on the rear panel).

In Program mode the set point signal will be driven by user's custom program stored in the EEPROM. There are three Program modes: BATCH, TIMER and RATIO*.

*RATIO mode not available for one channel module.

PROGRAMMABLE TIMER FLOW CONTROL

The Timer Flow Control allows execution of custom, user preset program of up to 96 steps.

Each step can be preprogrammed for a particular date, time, and set point value. Every step has two fields: starting date, time and set point in % F.S.

RATIO FLOW CONTROL

The Ratio Flow allows controlling flow of the mixture of up to four different gases (for 4 channel Command Module) with preset values of the ratio in % for each channel. The flow rate of the mixture can be incremented or decremented by changing the set point of the master channel #1.

FLOW ALARMS

High and Low gas flow ALARM limits can be preprogrammed for each channel. ALARM conditions become true when the difference between current readings and installed set points are equal or more than corresponding values of high and low alarm levels.

Alarm action can be assigned with preset delay interval (0-3600 seconds) to one of the following:

- Contact closer (separate for High and Low alarm).
- Buzzer audible signal.
- Valve shut down (Close).

CONTACT CLOSURES

Two sets of dry contact relay outputs for each channel are provided to actuate user supplied equipment. The relays can be assigned to switch when a specified event occurs (e.g. when a low or high flow alarm limit is exceeded or when the totalizer reaches a specified value).

TOTALIZER

The total volume of the gas is calculated by integrating the actual gas flow rate with respect to time.

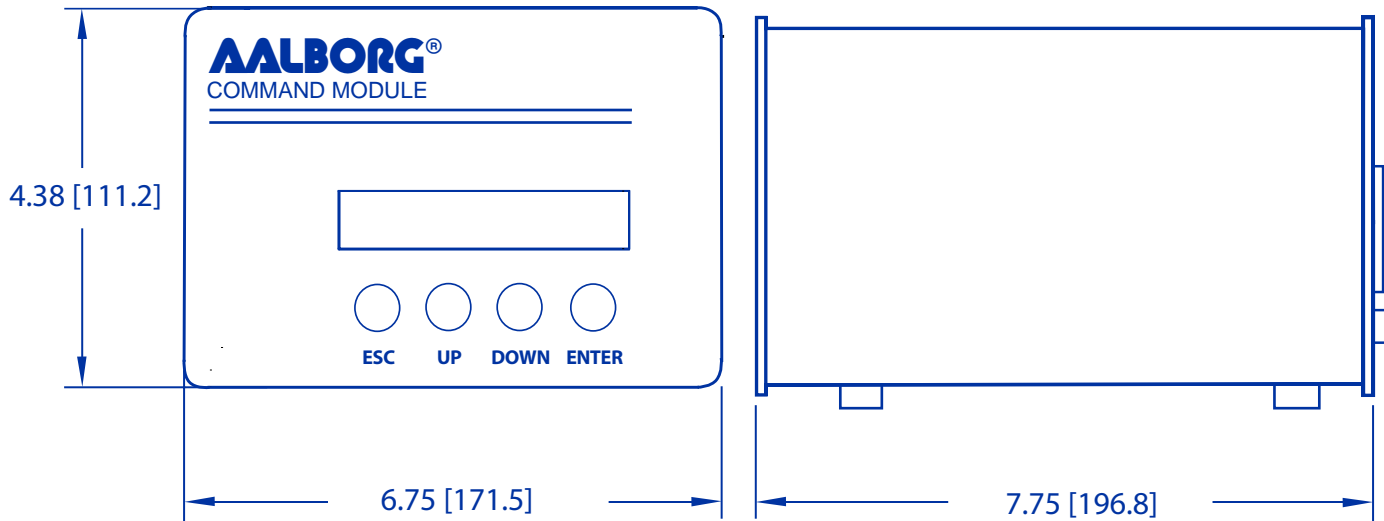
Both keypad menu and digital interface commands are provided to:

- Set the totalizer to ZERO.
- Start the totalizer at a preset flow.
- Assign action at a preset total volume.
- Start/Stop totalizing the flow.
- Read totalizer.

Totalizer conditions become true, when the totalizer, and the "Stop at Total" volumes are equal.

Totalizer action can be assigned to one of the following:

- Contact closer.
- Audible Buzzer.
- Valve shut down (Close).



DIMENSIONS SHOWN IN BRACKETS ARE IN MILLIMETERS

NOTE: Aalborg® reserves the right to change designs and dimensions at its sole discretion at any time without notice. For certified dimensions please contact Aalborg®.

TABLE 39 - SPECIFICATIONS

ENVIRONMENTAL (per IEC 664)	Installation Level II; Pollution degree II.
POWER SUPPLY:	85 to 240 VAC (47 to 440 Hz); 120 to 370 Vdc 2A max.
FUSE:	2A on input power line. When changing, unplug the device from power source. Replace only with fuse 5mm 2A/250V °F.
DISPLAY:	24 x 2 LCD dot matrix with backlight; 24x2 Vacuum Fluorescent display optional.
ADC/DAC RESOLUTION:	12 bits (0.025%).
COMMUNICATION STANDARD:	RS-232 9600 baud rate, 8 bits, two stop bits, no parity (8,2.N).
DIMENSIONS:	Length: 7.75" (19.5 cm), width: 6.75" (17 cm), height: 4.5" (11cm).
WEIGHT:	4.5 lbs (2 kg).
INTERFACE CABLE:	Flat cable with male 15-pin "D" connector and female 15-pin "D" connector on the ends is standard. Optional round shielded cable is available with male/female 15-pin "D" connector ends. [Cable length may not exceed 9.5 feet (3 meters)].
DATA PORT AND RELAY CABLE:	Optional shielded cable with male 25-pin "D" connector to connect to command module data and relay ports. [Cable length may not exceed 9.5 feet (3 meters)].

Configure and Order Online: [SDPROC Microprocessor Driven Command Module](#)

SDPROC	MODEL
--------	-------

CHANNELS	
1	
2	
3	
4	

CONFIGURATION	
A	AFC
D	DFC
G	GFM /GFC
C	CUSTOM

DIGITAL INTERFACE	
1	RS232

AC INPUT VOLTAGE	
NA	100-240VAC North America
EU	100-240VAC Europe
AU	100-240VAC Australia
UK	100-240VAC United Kingdom

DISPLAY	
L	LCD
V	VFD

SDPROC	—	4	A	1	—	NA	L
--------	---	---	---	---	---	----	---

EXAMPLE: SDPROC-4A2-NAL

Smart Digital Command Module, 4-Channel, AFC configuration, RS232, 100-240 VAC North America plug, LCD display.

Design Features

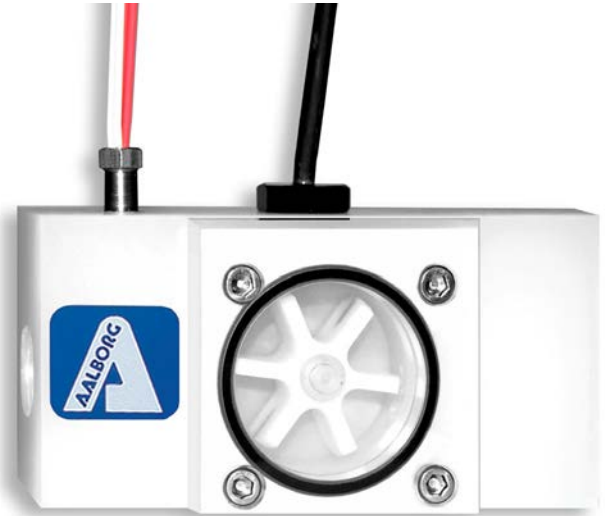
- Flow meters for liquid flow applications.
- Jewel bearings allow for very low minimum flow rates.
- Easy to install and operate.
- Mounted horizontally or vertically.
- Only one moving part.
- Flow indication via transparent acrylic cover.
- Versatile square wave flow output signal.
- Female NPT ports.
- Multi-Parameter: Flow and temperature *outputs.
- Four wires platinum RTD option.
- Polypropylene and chemically resistant.
- PVDF models.

* PWM provides only raw pulse output signals. In order to get actual flow and temperature readings, user has to implement additional signal processing.

Principles of Operation

Fluid flowing through the unit causes the paddle wheel to spin. As the magnets embedded in the paddle spin past the sensor, electrical pulses are produced in which frequency is proportional to the flow rate. The number of pulses per desired time interval and the K-factor (number of pulses/gallon) make it possible to calculate the flow rate and volume passing through the unit.

Configure and Order Online: [PWM Paddle-Wheel Flow Meter](#)



FOR LIQUIDS ONLY

TABLE 40 - FLOW RATE FOR PWM

Meter Sizes	Flow Rate H ₂ O		Inlet/Outlet Ports Female NPT	Max Pressure Drop	
	[L/min]	[gal/min]		Bar	PSI
PWM04	0.15-18.9	0.04-5	3/8"	1	15
PWM06	0.3-37.6	0.08-10	1/2"	1.4	20
PWM08	0.6-64.4	0.15-17	3/4"	1.4	20
PWM10	1.3-132.5	0.35-35	1"	1.4	20

TABLE 42 - PADDLE WHEEL MODEL NUMBERS

Polypropylene	Polypropylene with RTD	PVDF	PVDF with RTD
PWM04P	PWM04PR	PWM04T	PWM04TR
PWM06P	PWM06PR	PWM06T	PWM06TR
PWM08P	PWM08PR	PWM08T	PWM08TR
PWM10P	PWM10PR	PWM10T	PWM10TR

TABLE 41 - SPECIFICATIONS

ACCURACY	±1% FS.
MAX TEMPERATURE	60 °C (140 °F).
MAX PRESSURE	10 barg (150 psig).
POWER	5 to 24 Vdc @ 2 mA.
OUTPUT SIGNAL	NPN open collector (load 30 mA max).
DIMENSIONS	56H x 108L x 53D [mm] (2.2 x 4.25 x 2.2") Without RTD and flow sensors.
CABLE	Flow signal 1.8 m (6') or optional 3.7m (12') [ft.] RTD 12 [in.] long cable.
RTD	Platinum 0.00385 TCR, meets EN 60751, Class B.

TABLE 43 - MATERIALS FLUID CONTACT:

	POLYPROPYLENE MODELS	PVDF UNITS MODELS
BODY	Polypropylene	PVDF
LID	Acrylic	PVDF
PADDLE WHEEL	PVDF	PVDF
SHAFT	Nickel Tungsten Carbide	Zirconia Ceramic
BEARINGS	Sapphire Jewels	Sapphire Jewels
O-RINGS	EPDM	PTFE
PLATINUM RTD	316 ss casing	316 ss casing

FOR LIQUIDS ONLY

**PLEASE NOTE:
POWER CORD WITH MALE PLUG IS NOT INCLUDED.
ORDER SEPARATELY: CAT NO. CBL-PWE**

Design Features

- Jewel bearings allow for very low minimum flow rates.
- Multi-Parameter: Flow and optional temperature measurements.
- Polypropylene and chemically resistant PVDF models.
- Supports up to 29 Engineering Units (including User Defined).
- Two programmable Totalizers and Flow Pulse output (3.3Vdc CMOS).
- Programmable High/Low Flow and optional Temperature Alarms with preset action delay interval.
- Two sets of user-programmable optically isolated outputs.
- User-selectable (via jumpers) analog 0-5 Vdc or 4-20mA flow and optional temperature outputs.
- RS-232 or RS-485 Digital Interface with Multi-Drop Capability of up to 256 units (RS-485 option).
- Local keypad and 2x16 characters LCD display with adjustable back light (optional).
- Enclosure weather tight to IP65 standards.
- Free communication software with temperature and flow data log-in capability.

General Description

PWE flow meters support various functions including: two independently programmable flow totalizers, user programmable low, high or range flow and temperature alarm, two sets of user programmable optically isolated outputs, self diagnostic alarm, flow pulse output.

The flow rate can be displayed in 29 different volumetric or mass flow engineering units. Flow meter parameters and functions can be programmed locally via optional keypad and LCD † or remotely via the RS-232/RS-485 interface.

Optional local 2x16 LCD† readout with adjustable back light provides flow rate, temperature†, total volume reading in currently selected engineering units, diagnostic events indication and feature a password protected access to the process parameters to ensure against tampering or resetting.

(† - optional feature)

Principles of Operation

Liquid flowing through the unit causes the paddle wheel to spin. As the magnets embedded in the paddle spin past the sensor, electrical pulses are produced in which frequency is proportional to the flow rate. The number of pulses per desired time interval and the K-factor (number of pulses/gallon) make it possible to calculate the flow rate and volume passing through the unit.

On board CPU and signal conditioner circuitry perform accurate flow and total computation, digital communication and analog 0-5 Vdc or 4-20 mA output signals. Non-volatile memory stores all hardware specific and user programmable variables, including flow linearization table.

Totalizer

The total volume of the liquid is calculated by integrating the actual liquid flow rate with respect to time. The optional LCD/keypad and digital interface commands are provided to:

- set the totalizer to ZERO
- start the totalizer at a preset flow
- assign action at a preset total volume
- start/stop totalizing the flow
- read totalizer

Totalizer conditions become true, when the totalizer reading and the “Stop at Total” volumes are equal. Main Totalizer reading is stored in the non volatile memory (EEPROM). The pilot Totalizer reading is stored in volatile memory (SRAM) and will be lost if flow meter is powered down.

Engineering Units

The measured flow and associated totalizer data are scaled directly in engineering units via the digital interface.

THE FOLLOWING 29 UNITS OF MEASURE ARE SUPPORTED:

TABLE 44 - UNITS OF MEASURE

NUMBER	INDEX	FLOW RATE ENGINEERING UNITS	TOTALIZER ENGINEERING UNITS	DESCRIPTION
1	0	%	%s	percent of full scale
2	1	mL/s	mL	milliliter per second
3	2	mL/min	mL	milliliter per minute
4	3	mL/h	mL	milliliter per hour
5	4	l/s	ltr	liter per second
6	5	l/min	ltr	liter per minute
7	6	l/h	ltr	liter per hour
8	7	m ³ /s	m ³	cubic meter per second
9	8	m ³ /min	m ³	cubic meter per minute
10	9	m ³ /h	m ³	cubic meter per hour
11	10	ft ³ /s	ft ³	cubic feet per second
12	11	ft ³ /min	ft ³	cubic feet per minute
13	12	ft ³ /h	ft ³	cubic feet per hour
14	13	gal/s	gal	gal per second
15	14	gal/min	gal	gal per minute
16	15	gal/h	gal	gal per hour
17	16	g/s	g	grams per second
18	17	g/min	g	grams per minute
19	18	g/h	g	grams per hour
20	19	kg/s	kg	kilograms per second
21	20	kg/min	kg	kilograms per minute
22	21	kg/h	kg	kilograms per hour
23	22	lb/s	lb	pounds per second
24	23	lb/min	lb	pounds per minute
25	24	lb/h	lb	pounds per hour
26	25	t/s	ton	ton (metric) per sec
27	26	t/min	ton	ton (metric) per minute
28	27	t/h	ton	ton (metric) per hour
29	28	User	UD	user defined

Flow and Temperature[†] Alarms

High and Low flow ALARM limits can be preprogrammed via digital interface or optional LCD/Keypad. ALARM conditions become true when the current reading is equal or higher/lower than corresponding values of high and low alarm levels. Alarm action can be assigned with preset delay interval (0-3600seconds) to activate the optically isolated output (separate for High and Low alarm). Latch Mode control feature allows each optical output to be latched on or follow the corresponding alarm status.

(†- optional feature)

Optically Isolated Outputs

Two sets of optically isolated outputs are provided to actuate user supplied equipment. These are programmable via digital interface or optional LCD/Keypad such that the outputs can be made to switch when a specified event occurs (e.g. when a low or high flow alarm limit is exceeded or when the totalizer reaches a specified value) or may be directly controlled by user.

TABLE 45 - FLOW RATE FOR PWE

Meter Sizes	Flow Rate H ₂ O		Inlet/Outlet Ports Female NPT	Max Pressure Drop	
	[L/min]	[gal/min]		Bar	PSI
PWE4	0.15-18.9	0.04-5	3/8"	1	15
PWE6	0.3-37.6	0.08-10	1/2"	1.4	20
PWE8	0.6-64.4	0.15-17	3/4"	1.4	20
PWE10	1.3-132.5	0.35-35	1"	1.4	20

TABLE 46 - **MATERIALS IN FLUID CONTACT

	POLYPROPYLENE MODELS	PVDF MODELS
BODY	Polypropylene	PVDF
LID	Acrylic	PVDF
PADDLE WHEEL	PVDF	PVDF
SHAFT	Nickel Tungsten Carbide	Zirconia Ceramic
BEARINGS	Sapphire Jewels	Sapphire Jewels
O-RINGS	EPDM	PTFE
PLATINUM RTD	316 stainless steel casing	316 stainless steel casing

**The selection of materials of construction, is the responsibility of the customer. The company accepts no liability.

TABLE 47 - DIGITAL PADDLE WHEEL FLOW METER ACCESSORIES

MODEL NO.	DESCRIPTION
CBL-PWE	Cable 12 Pins stripped end 6 foot shielded
PS-PWE-110NA-2	Power Supply PWE 110 Vac North American Plug
PS-PWE-230EU-2	Power Supply PWE 230 Vac Continental Plug
PS-PWE-240AU-2	Power Supply PWE 240 Vac Australian Plug
PS-PWE-240UK-2	Power Supply PWE 240 Vac UK Plug

TABLE 48 - DIGITAL PADDLE WHEEL METER FEATURES FOR POLYPROPYLENE MODELS

NO KEYPAD & LCD - NO RTD	WITH RTD - NO KEYPAD & LCD	KEYPAD & LCD - NO RTD	KEYPAD & LCD - RTD
PWE04P(*)NN	PWE04P(*)NR	PWE04P(*)LN	PWE04P(*)LR
PWE06P(*)NN	PWE06P(*)NR	PWE06P(*)LN	PWE06P(*)LR
PWE08P(*)NN	PWE08P(*)NR	PWE08P(*)LN	PWE08P(*)LR
PWE10P(*)NN	PWE10P(*)NR	PWE10P(*)LN	PWE10P(*)LR

TABLE 49 - DIGITAL PADDLE WHEEL METER FEATURES FOR PVDF MODELS

NO KEYPAD & LCD - NO RTD	WITH RTD - NO KEYPAD & LCD	KEYPAD & LCD - NO RTD	KEYPAD & LCD - RTD
PWE04T(*)NN	PWE04T(*)NR	PWE04T(*)LN	PWE04T(*)LR
PWE06T(*)NN	PWE06T(*)NR	PWE06T(*)LN	PWE06T(*)LR
PWE08T(*)NN	PWE08T(*)NR	PWE08T(*)LN	PWE08T(*)LR
PWE10T(*)NN	PWE10T(*)NR	PWE10T(*)LN	PWE10T(*)LR

(*) FOR COMPLETE MODEL NUMBERS SEE PAGE 80.

TABLE 50 - SPECIFICATIONS FOR PWE

FLOW MEDIUM:	Please note that PWE Flow Meters are designed to work only with liquids. Never try to measure flow rates of dry gas.
CALIBRATIONS:	Performed at standard conditions [14.7 psia (101.4 kPa) and 70 °F (21.1 °C)] unless otherwise requested or stated.
VISCOSITY:	Calibrated to 1 cSt (water) meters with display can be used for liquids up to 50 cSt with field calibration (maximum flow range may be affected).
ENVIRONMENTAL (PER IEC 664):	Installation Level II; Pollution Degree II.
FLOW ACCURACY (INCLUDING LINEARITY):	±1% of FS.
REPEATABILITY:	±0.25% of full scale.
LIQUID TEMPERATURE MEASUREMENT RANGE† :	34 °F to 140 °F (1 °C to 60 °C).
TEMPERATURE ACCURACY (INCLUDING LINEARITY)† :	±0.5 °C.
FLOW RESPONSE TIME:	Approximately 1 seconds (above 10% of full scale flow), approximately 2 seconds (below 10% of full scale flow).
MAXIMUM PRESSURE:	10 barg (150 psig).
MAXIMUM PRESSURE DROP:	1.4 bar (20 psi) at 132.5 L/min flow. See table for pressure drops associated with various models and flow rates.
AMBIENT TEMPERATURE RANGE:	14 °F to 140 °F (-10 °C to 60 °C).
OUTPUT SIGNALS:	Linear 0-5 Vdc (3000 ohms min load impedance); Linear 4-20 mA (500 ohms maximum loop resistance). Maximum noise 20mV peak to peak (for 0-5 Vdc output).
FLOW PULSE OUTPUT:	3.3 Vdc amplitude (3000 ohms min load impedance).
OPTICALLY ISOLATED OUTPUTS:	UCE ≤ 40Vdc, ICE ≤ 150 mA.
FLOW METER INPUT POWER:	11 to 26 Vdc, 100 mV maximum peak to peak output noise. Power consumption: +12Vdc (150 mA maximum); +24Vdc (100 mA maximum); Circuit board have built-in polarity reversal protection, 300mA resettable fuse provide power input protection.
COMMUNICATIONS PARAMETERS (RS-232/RS-485):	Baud rate: 9600 baud. Stop bit: 1. Data bits: 8. Parity: None. Flow Control: None.
ELECTRICAL CONNECTIONS:	Built-in female 12 pin M16, IP67 connector. To be mated with 12 pin M16 male EMI shielded IP67 connector. (Binder-USA P/N: 99-5629-15-12) not included. Optional cable available. Cable including male connector available.
DISPLAY:	Optional local 2x16 characters LCD with adjustable backlight (2 lines of text).
KEYPAD:	Optional 4 push button keypad.
CE COMPLIANT:	EMC Compliance with 89/336/EEC as amended. Emission Standard: EN 55011:1991, Group 1, Class A Immunity Standard: EN 55082-1:1992.

(† - optional feature)

Configure and Order Online: [PWE Paddle-Wheel Flow Meter](#)

PWE	MODEL								
ORIFICE SIZE (Maximum Flow Range)									
04	5 gal / min (0.15 - 18.9 L/min)								
06	10 gal / min (0.3 - 37.6 L/min)								
08	17 gal / min (0.6 - 64.4 L/min)								
10	35 gal / min (1.3 - 132.5 L/min)								
MATERIAL LOWER BLOCK									
P	Polypropylene								
T	PVDF								
SEALS									
E	EPDM								
T	PTFE								
B	Buna®								
V	FKM								
DISPLAY / KEYPAD									
N	No Display / No Keypad								
L	LCD / Keypad								
RTD OPTION									
N	No RTD								
R	RTD								
OUTPUT SIGNAL									
A	0-5 Vdc								
B	4-20 mA								
DIGITAL INTERFACE									
2	RS-232								
5	RS-485								
PWE	04	P	—	E	L	N	—	A	2

EXAMPLE: PWE04P-ELN-A2

Digital Paddle Wheel Meter, Maximum Flow 5 Gal. per minute, Polypropylene Lower Block, EPDM Seals, LCD Keypad, No RTD, 0-5 Output Signal with RS-232 Digital Interface.



PSV
Proportionating
Electromagnetic
Valve

PSV Proportionating Electromagnetic Valves are designed to respond to variable power inputs to proportionately regulate the flow of liquids and gases.

For added safety PSV valves are normally closed (NC) when de-energized. They can also serve as “ON-OFF” valves. For control functions see the PSV-D Driver Module.

Flow is controlled by increasing or decreasing the voltage applied to the coil. This causes a magnetic force which raises the core and allows gas to flow.

PSV valves, constructed of stainless steel are available in five different sizes covering flow ranges from 3.5 L/min - 100 L/min air and 125 mL/min - 2.85 L/min H₂O.

Design Features

- Leak Integrity 1 x 10⁻⁹ mL/sec.
- Rigid metallic construction.
- Gas and liquids.
- Max pressure of 1000 psig (68.9 bars).

Principle of Operation

A variable stroke electromagnetic valve featuring a valve seat design which permits increasing or decreasing flow rates of liquids or gases through it in proportion to variable input power.

Regulator Systems

Complete flow regulating systems include a PSV electromagnetic valve connected to a pulse width modulated PSV-D Driver Module. For details see Driver Module description.

TABLE 51 - MAX FLOW RATES AND CV VALUES FOR PSV

MODEL NUMBER	ORIFICE SIZE		Cv	*MAXIMUM FLOW [mL/min]	
	[in]	[mm]		AIR	WATER
PSV1S-VA	0.02	0.51	0.009	3500	125
PSV2S-VA	0.04	1.02	0.033	13000	400
PSV3S-VA	0.055	1.4	0.055	21500	700
PSV4S-VA	0.063	1.6	0.068	25000	850
PSV5S-VA	0.125	3.18	0.24	100000	2850

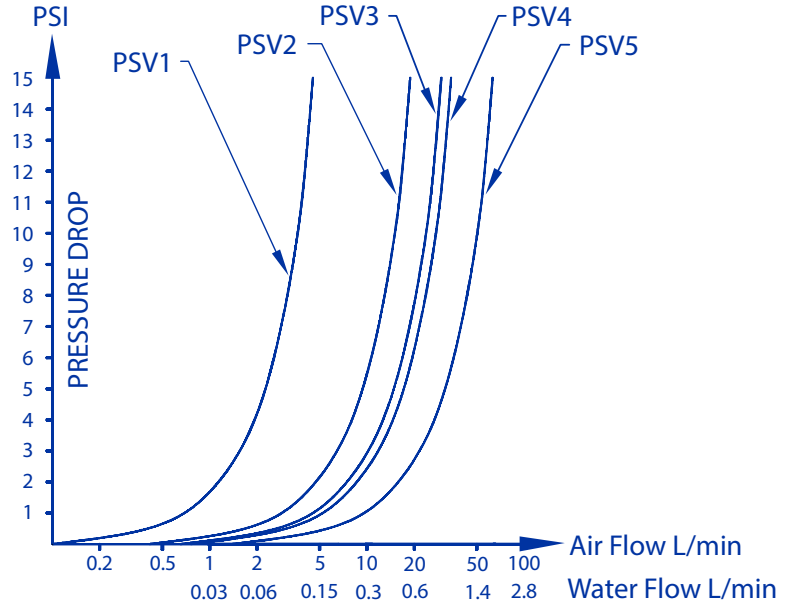
* Based on 10 psig (690 mbar) differential pressure for sizes 1-4 20 PSIG 1380 mBar for size 5.

TABLE 52 - SPECIFICATIONS

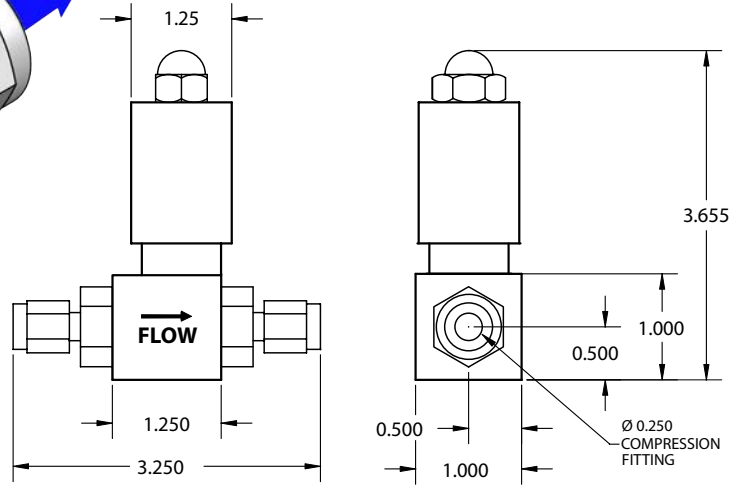
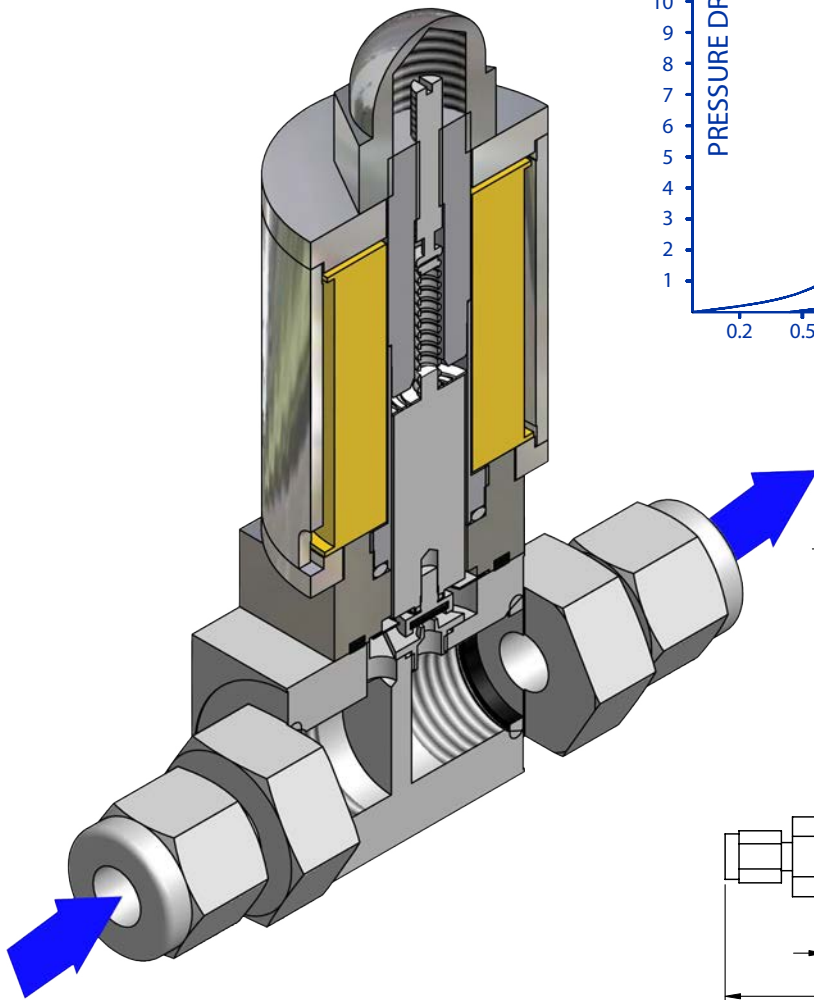
POWER INPUT:	0-30Vdc.
MAXIMUM POWER REQUIRED:	400 mA.
TYPE OF OPERATION:	Normally closed (NC) when de-energized.
CONNECTIONS:	1/4" Compression fittings optional 3/8" (1/8" with PSV1, 2 or 3).
** MATERIALS IN FLUID CONTACT:	Types 316 and 416 stainless steel, FKM O-rings. Optional O-rings: Buna®, EPR and FFKM.
MAXIMUM PRESSURE:	1000 psig (6897 kPa).
MAXIMUM DIFFERENTIAL PRESSURE:	50 psid (345 kPa).
LEAK INTEGRITY:	1 X 10 ⁻⁹ smL/sec Helium individually tested.
FLUID TEMPERATURE:	14 °F to 122 °F (-10 °C to 50 °C).
MAXIMUM TEMPERATURE (typical):	174 °F (79 °C) inside, 130 °F (54 °C) outside surface at 24Vdc.

**The selection of materials of construction, is the responsibility of the customer. The company accepts no liability.

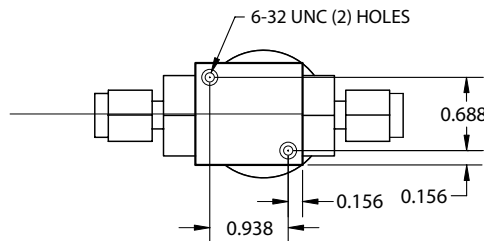
Pressure Drops Across PSV Valves



Cross Sectional View PSV Valve



PSV Proportionating Electromagnetic Valves



NOTE: Aalborg® reserves the right to change designs and dimensions at its sole discretion at any time without notice. For certified dimensions please contact Aalborg®.

Configure and Order Online: [PSV Proportional Solenoid Valve](#)

PSV	MODEL			
	SERIES			
	1			
	2			
	3			
	4			
	5			
	MATERIAL			
	S	Stainless Steel		
	SEALS			
	V	FKM		
	B	Buna®		
	E	EPR		
	T	PTFE / FFKM		
	FITTINGS			
	A	1/4" Compression		
	B	1/8" Compression (1/8" with PSV1, 2 or 3)		
	D	3/8" Compression		

PSV

4

S

V

A

EXAMPLE: PSV4S-VA

PSV4 stainless steel, FKM seals with 1/4" compression fittings.

PSV-D

Pulse width modulated PSV-D Driver Modules regulate the power supplied to PSV Regulating valves based on a reference signal.

Set-point signals, 0-5 Vdc or 4-20 mA, input are employed to control the output pulse width modulated voltage at a fixed frequency (>30KHz) and amplitude. Incoming power to the valve coil is applied and discontinued for pre-determined periods of time by a low loss solid state switching element.

As incoming power is applied, energy in the inductive coils increases and when it is discontinued energy stored in the coil maintains the magnetic flux level required to hold flow at the controlled rate. This cycle takes place many thousands of times per second.

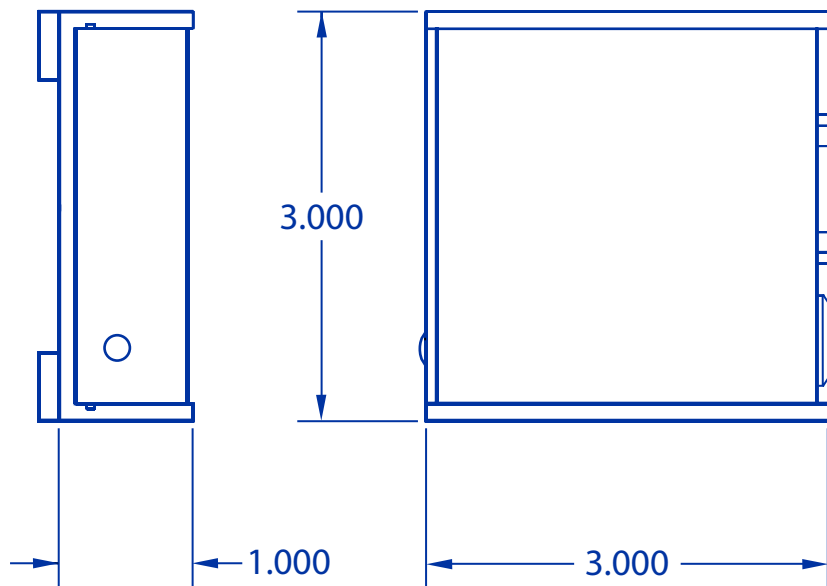
The wide range of power input features conveniently accommodates 12 to 32 Vdc sources.

The Auto-Select feature of the Driver Module recognizes the type of reference signal received and defaults to 0 - 5 Vdc if both signals are provided.



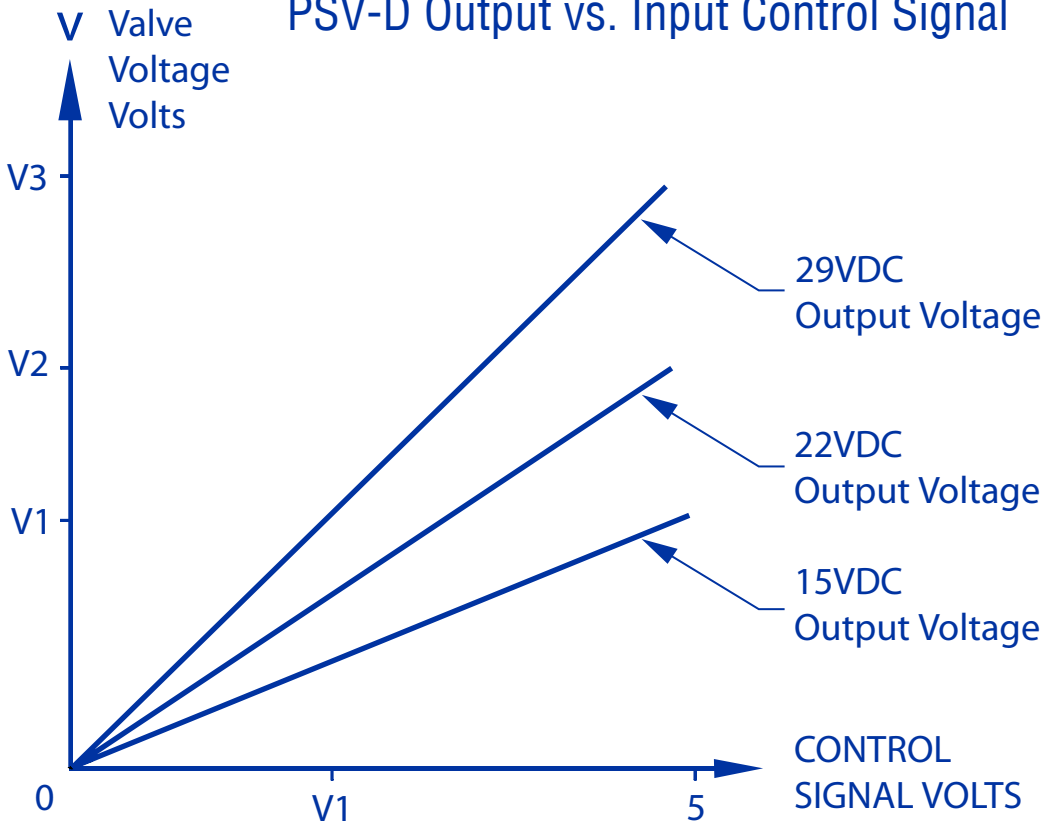
Shown with PSV Valve

Dimensions Pulse Width Modulated Driver Module



NOTE: Aalborg® reserves the right to change designs and dimensions at its sole discretion at any time without notice. For certified dimensions please contact Aalborg®.

PSV-D Output vs. Input Control Signal



Jumper selectable output power allows a choice of dc voltage range for cooler more efficient operation, as a function of flow rates.

Internal resettable fuse protects electronics and rectifier circuits, prevents polarity reversal damage.

The maximum output voltage supplied to the PSV Valve can be set or changed in the field to allow for optimal use of the input reference signal to output voltage based on the specific flow rate and operating pressure applied to the valve.

TABLE 53 - SPECIFICATIONS

CONNECTION:	9-pin male "D" subconnector for input/output signals.
POWER INPUT REQUIRED:	+12 to 30 Vdc 1A @ 12 Vdc, 0.5A (not supplied) @ 24 Vdc via 9-pin "D"-connector or dc power jack (center positive).
INPUT SIGNAL:	Auto-Select feature allows circuit to recognize which analog input reference (0 to 5 Vdc or 4-20 mA) signal is provided.
TTL ON/OFF:	Jumper selectable LOW (0 Vdc) OFF-HIGH (5 Vdc) on, or reverse, to select valve ON/OFF status.
VALVE OUTPUT POWER:	Jumper selectable to +15, +22, and +29 Vdc with adjacent potentiometer to obtain ±2 Vdc.
FUSE RATING:	An internal resettable 1.6A fuse protects the electronics on the power input.
POLARITY PROTECTION:	Internal rectifier circuit protects from reversed polarity on the power input.
OPERATING TEMPERATURE:	32 °F (0 °C) to 122 °F (50 °C).
DIMENSIONS:	3" (7.62mm) wide x 3" (7.62mm) deep x 1" (25.4mm) high.
CE COMPLIANCE :	EMC Directive 89/336/EEC EN55011:1991 Group 1, Class A EN50082-2:1995.

ORDERING INFORMATION FOR PSV-D	
MODEL	
PSV-D	Proportionating Solenoid Valve Driver

TABLE 54- ACCESSORIES FOR FOR PSVD DRIVER MODULE

PS-PSV-110NA-4	Power Supply, 110vac/24 Vdc /North America
PS-PSV-230EU-4	Power Supply, 230vac/24 Vdc /Europe
PS-PSV-240AU-4	Power Supply 240vac/24 Vdc /Australia
PS-PSV-240UK-4	Power Supply 240vac/24 Vdc /United Kingdom
CBL-DP9-6	Female 9 pin D-connector with 6 ft.cable

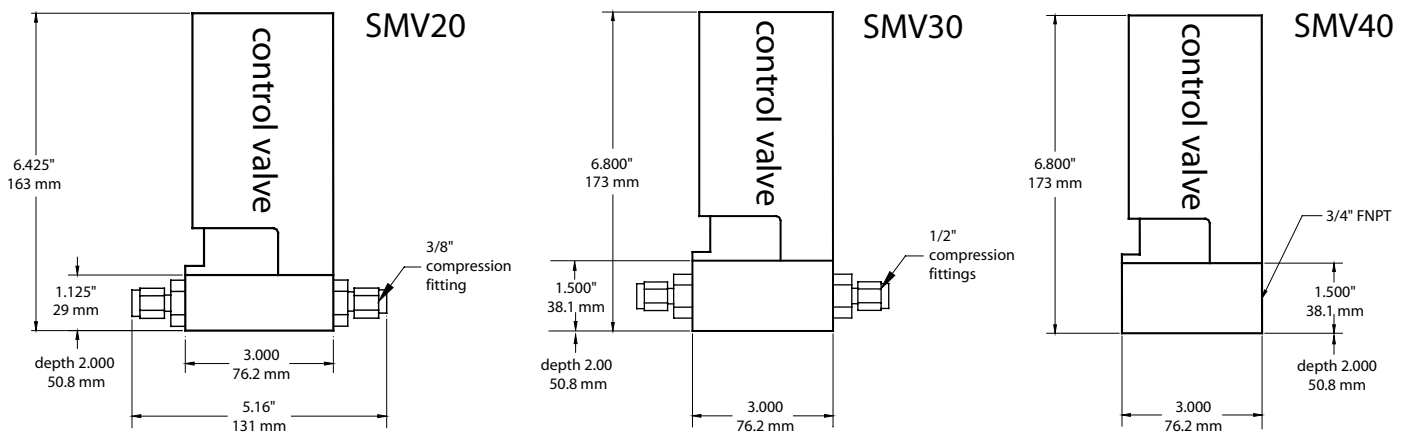
Design Features

- High precision two-way metering valves in aluminum or 316 SS for air/water.
- Unparalleled precision and resolution in controlling flow rates.
- (0.00025" per step resolution standard, 0.000125" optional).
- Operate continuously without overheating.
- Eliminates coil heating problems associated with solenoid designs.

SMV Stepping Motor Valves



SMV Stepping Motor Valve Dimensions



NOTE: Aalborg® reserves the right to change designs and dimensions at its sole discretion at any time without notice. For certified dimensions please contact Aalborg®.

Configure and Order Online: [SMV Stepping Motor Valve](#)

TABLE 55 - SPECIFICATIONS

ALUMINUM MODELS:	Aluminum housings and valve blocks, FKM O-Rings, PFA closing pins.
STAINLESS STEEL / PTFE MODELS:	316 stainless steel valve blocks, PTFE-lined aluminum housing blocks, FKM O-Rings, and PFA closing pins.
MAXIMUM FLOW RATES:	1000 L/min (air), 28 L/min (H ₂ O).
CONNECTIONS:	3/8", 1/2", compression and 3/4" FNPT.
ELECTRICAL CONNECTIONS:	9-pin "D"-connector, located at the side of the valve.
POWER INPUT:	12Vdc @ 800 mA, or +24 Vdc @ 600 mA, protected by a 1600mA resettable fuse.
DIRECTIONAL CONTROL SIGNAL:	12Vdc CMOS compatible logic level signal (10K input impedance). (Logic High \geq 7.5 Vdc, Low $<$ 2.3 Vdc).
SPEED CONTROL SIGNAL:	Analog 0 to 2.5 Vdc (100K input impedance). ON/OFF override: 12 Vdc CMOS low active level to pins 7 and 3 (10K input impedance).
RESPONSE TIME:	100ms time constant.
PRESSURE DROP AT MAX. FLOW:	700 to 1000) mbars 10 to 15 psid.
MAXIMUM OPERATING PRESSURE:	500 psig (35 bars).
MAXIMUM DIFFERENTIAL PRESSURE:	40 psig (2.7 bars).
GAS & AMBIENT TEMPERATURE:	32 °F to 122 °F (0 °C to 50 °C).

Operation

When the "DIRECTION" is set LOW (GND) the valve spindle travels downward (closes), when it is set HIGH, the valve spindle moves upward (opens). The "SPEED" voltage on pin 4 determines how quickly the valve opens or closes. The signal amplitude for the "SPEED" control signal must remain within the limits of 0 to +2.5 Vdc. It may be necessary to override "DIRECTION" and "SPEED" signals with the preset (2.75 Vdc) speed control signal.

This can be accomplished with valve CLOSE and PURGE control signals (open collector NPN compatible). In order to CLOSE the valve, pin 3 on the 9-pin "D"- connector has to be connected to GND (pin 2). A GREEN light on the top of the valve will indicate a CLOSED valve condition. In order to PURGE the valve, pin 7 on the 9-pin "D"-connector has to be connected to GND (pin 2). A RED light on the top of the valve will indicate a fully OPEN valve condition. During normal operation the valve remains in the last position as it is deenergized.

After powering up, the valve will be automatically closed within the first 10 seconds and after that resumes control operation. Operating power and valve control signals are supplied via the "D"-connector.

General Description

A line of electronic two-way metering needle valves is presented. High precision linear stepping motors drive the valve spindle.

The resolution of the stepping motor driven needles is 0.00025"/step standard. Optional 0.000125" /step resolution available. Low differential pressure valves, may be operated continuously (100% duty cycle). Valves stay in position as when de-energized.

Advantages over solenoid operated valves include cool operations, i.e. there are no control operating problems due to coils heating up, extremely fine resolution, very low differential pressures and high operating pressures. Valves are controllable by CMOS 12 Vdc compatible logic level and analog 0 to 2.5 Vdc signals.

TABLE 56 - FLOW RATE FOR SMV

MODEL NUMBERS	MAXIMUM FLOW RATE				C _v	CONNECTIONS	MATERIAL
	AIR		H ₂ O				
	L/min]	[scfh]	[L/min]	gal/min			
SMV20-AVD2	200	424	5.6	1.48	0.336	3/8" compression	Aluminum
SMV20-SVD2	200	424	5.6	1.48	0.336	3/8" compression	Stainless Steel
SMV30-AVE2	500	1060	14.2	3.75	0.855	1/2" compression	Aluminum
SMV30-SVE2	500	1060	14.2	3.75	0.855	1/2" compression	Stainless Steel
SMV40-AVF2	1000	2119	28	7.4	1.735	3/4" FNPT	Aluminum
SMV40-SVF2	1000	2119	28	7.4	1.735	3/4" FNPT	Stainless Steel

Intelligent Control Valve



Design Features

- Improved high-precision two-way metering valves in aluminum or 316 SS for gas/liquid applications.
- Four different control modes and multiple analog interfaces are supported to accommodate the variety of customer applications.
- Standard digital RS-485 interface implemented using galvanically isolated RS-485 transceiver with high common-mode transient immunity allows direct digital communication with PLC or PC and provides access to all configuration and process variable parameters.
- ASCII commands set, free Communication and Configuration software, and LabVIEW Driver*.
- Eliminates problems associated with solenoid designs, such as coil heating and electromagnetic hysteresis.

General Description

A line of improved electronic two-way metering needle valves is presented. A high-precision linear stepping motor actuator drives the valve spindle. The standard resolution of the stepping motor actuator-driven needles is 0.000125"/step. In micro-stepping mode, the resolution is 0.0000078125"/step.

The valve can be controlled using one of the four modes:

- Analog Interface (0-5Vdc, 1-5 Vdc, 4-20mA, 0-10Vdc* options are supported). The valve opening is linearly proportional to the control analog signal in this mode.
- Digital RS-485 Interface (via optically isolated transceiver using proprietary ASCII commands set). In this mode, the user can control the valve by sending the command with the desired valve opening position expressed in % of valve full opening (0.00 to 100.00% with 0.01% resolution).
- Direction / Speed (legacy SMV valve proprietary mode). In this mode valve is controllable using digital TTL (low active) "Direction" and analog (0-5Vdc, 1-5 Vdc, 4-20mA, 0-10Vdc* options are supported) "Speed" signals.
- Step Clock / Direction. In this mode, the valve is controllable using digital TTL (low-active) "Step" and "Direction" signals. With each falling edge on the "Step Clock" input, the valve needle will move one step to close or open direction based on the logic level applied to the "Direction" input.

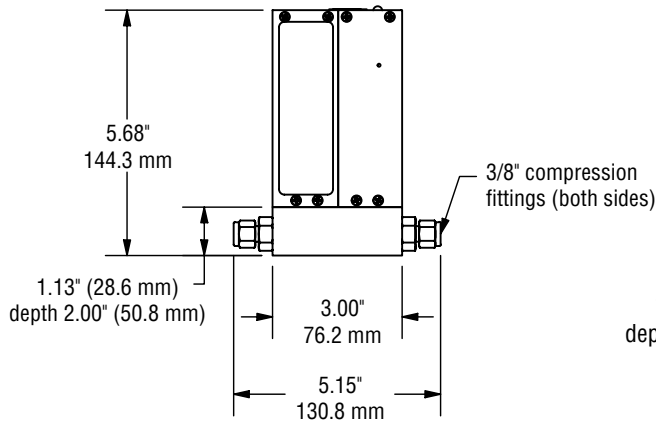
Low differential pressure valves may be operated continuously (100% duty cycle). When de-energized, the valves stay in the same position. Advantages over electromagnetic solenoid-operated valves include cool operations, i.e., no control operating problems due to coils heating up, no electromagnetic hysteresis, excellent resolution, and very low differential pressures. The valve control may be overridden with CLOSE and PURGE control signals (TTL low active). To CLOSE the valve, pin 3 on the 9-pin "D"- connector must be connected to GND (pin 2). A GREEN light on the top of the valve will indicate a CLOSED valve condition. To PURGE the valve, pin 7 on the 9-pin "D"-connector has to be connected to GND (pin 2). A RED light on the top of the valve will indicate a fully OPEN valve condition. During regular operation, the valve remains in the last position as it is de-energized.

**NOTE: 0-10 Vdc analog input option requires additional jumper installation on the PCB and cannot be selected on the field using the user multi-functional button or via digital RS-485 interface. If the 0-10 Vdc option is required, it must be specified during the order.*

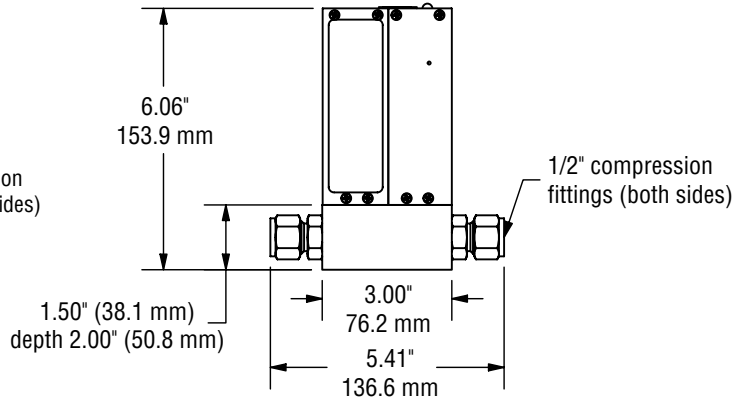
TABLE 57 - FLOW RATE FOR SMVI

MODEL NUMBERS	MAXIMUM FLOW RATE (at 20 psi differential pressure, 70 °F)				Cv	CONNECTIONS	ORIFICE SIZE
	AIR		H ₂ O				
	sL/min]	[scfh]	[L/min]	GPM			
SMVI20	200	424	5.6	1.48	0.336	3/8" compression fitting	3/8"
SMVI30	500	1060	14.2	3.75	0.855	3/8" compression fitting	3/8"
SMVI40	1000	2119	28	7.4	0.735	3/4" FNPT	1/2"

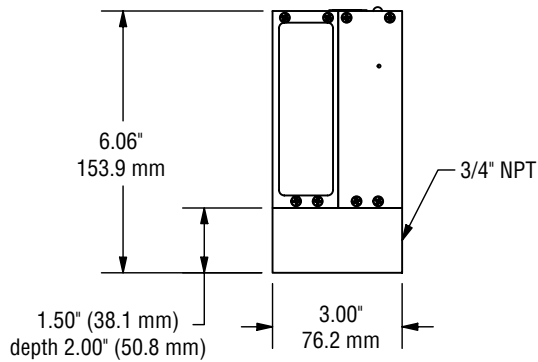
SMVI20



SMVI30



SMVI40



SMVI40C

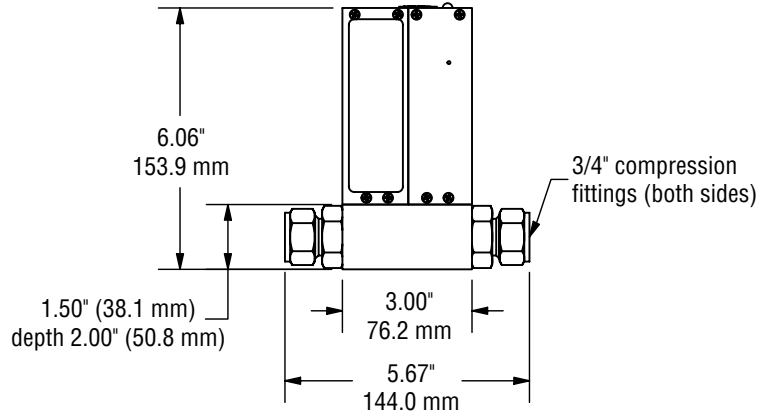
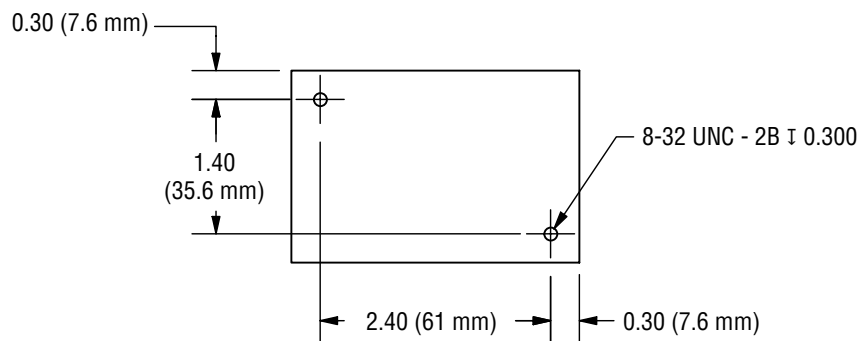


Table Mounting Holes (Typical)



Configure and Order Online: [SMVI Intelligent Control Valve](#)

SMVI	MODEL	
SERIES		
20		
30		
40		
MATERIAL		
A	Aluminum	
S	Stainless Steel	
SEALS		
V	FKM	
B	Buna®	
E	EPR	
T	PTFE / FFKM	
FITTINGS		
D	3/8" Compression	SMVI20
E	1/2" Compression	SMVI30
F	3/4" FNPT	SMVI40
G	3/4" Compression	SMVI40
POWER		
6	Universal 12 to 24 Vdc	
VALVE OPENING CONTROL MODE		
A	Analog Interface (% of opening)	
B	Digital RS-485 Interface (all parameters including % of opening)	
C	Direction / Speed (legacy SMV valve proprietary mode)	
D	Step Clock / Direction	
ANALOG INPUT (applicable only for A and C control modes)		
A	0-5Vdc	
B	0-10Vdc * (specify during the order, cannot be changed on the field)	
C	1-5Vdc	
D	4-20 mA	

SMVI 30 — S V E 6 — A A

NOTE: 0-10 Vdc analog input option requires additional jumper installation on the PCB and cannot be selected on the field using user multi-functional button or via digital RS-485 interface. If the 0-10 Vdc option is required, it must be specified during the order.

EXAMPLE: SMVI30-SVE6-AA

Stepping Motor Valve Intelligent 500 sl/min, SS, FKM, 1/2" Compression fittings, universal 12 to 24 Vdc power, Analog Interface, 0-5Vdc.

TABLE 57 - CONVERSION FACTORS

MULTIPLY	BY	TO OBTAIN
atm	14.70	lbs/sq. in
atm	1.0333	kg/sq. cm
lbs/sq. in	0.07031	kg/sq. cm
ml/min	0.001	liters/min
ml/min	3.531 X 10 ⁻⁵	cu. ft/min
ml/min	1.585 x 10 ⁻²	gal/hr
cu. ft/hr	472	ml/min
gal/min	3785	ml/min
g/ml	62.43	lbs/cu. ft
g/ml	0.03613	lbs/cu. in
cc/min	1	mL/min
cfm (ft3/min)	28.31	L/min
cfm (ft3/min)	1.699	m3/hr
oz/min	29.57	mL/min

TABLE 58 - PRESSURE CONVERSION FACTORS

MULTIPLY	BY	TO OBTAIN
psi	27.71	in. H2O
psi	2.036	in. Hg
psi	703.1	mm/H2O
psi	51.75	mm/Hg
psi	.0703	kg/cm2
psi	.0689	bar
psi	68.95	mbar
psi	6895	Pa
psi	6.895	kPa

TABLE 59 - TEMPERATURE

$^{\circ}\text{F} = (1.8 \times ^{\circ}\text{C}) + 32$
$^{\circ}\text{C} = (^{\circ}\text{F} - 32) \times 0.555$
$^{\circ}\text{Kelvin} = ^{\circ}\text{C} + 273.2$

TABLE 60 - LENGTH

MULTIPLY	BY	TO OBTAIN
inch	2.54	cm
inch	12	foot
ft.	0.305	meter
yard	1.914	meter
Angstrom	1010	meter

COMMON EQUIVALENTS AND CONVERSIONS

Approximate Common Equivalents	
1 inch	= 25 millimeter
1 foot	= 0.3 meter
1 yard	= 0.9 meter
1 mile	= 1.6 kilometers
1 square inch	= 6.5 sq centimeters
1 square foot	= 0.09 square meter
1 square yard	= 0.8 square meter
1 acre	= 0.4 hectare +
1 cubic inch	= 16 cu centimeters
1 cubic foot	= 0.03 cubic meter
1 cubic yard	= 0.8 cubic meter
1 quart (lq)	= 1 liter +
1 gallon	= 0.004 cubic meter
1 ounce (avdp)	= 28 grams
1 pound (avdp)	= 0.45 kilogram
1 horsepower	= 0.75 kilowatt
1 millimeter	= 0.04 inch
1 meter	= 3.3 feet
1 meter	= 1.1 yards
1 kilometer	= 0.6 mile
1 square centimeter	= 0.16 square inch
1 square meter	= 11 square feet
1 square meter	= 1.2 square yards
1 hectare +	= 2.5 acres
1 cubic centimeter	= 0.06 cubic feet
1 cubic meter	= 35 cubic feet
1 cubic meter	= 1.3 cubic yards
1 liter +	= 1 quart
1 cubic meter	= 250 gallons
1 gram	= 0.035 ounces (avdp)
1 kilogram	= 2.2 pounds (avdp)
1 kilowatt	= 1.3 horsepower

Conversions Accurate to Parts Per Million	
inches X 25.4*	= millimeters
feet X 0.3048*	= meters
yards X 0.9144*	= meters
miles X 1.603 34	= kilometers
square inches X 6.4516*	= square centimeters
square feet X 0.92 903 0	= square meters
square yards X 0.836 127	= square meters
acres X 0.404 686	= hectares
cubic inches X 16.3871	= cubic centimeters
cubic feet X 0.028 316.8	= cubic meters
cubic yards X 0.764 555	= cubic meters
quarts (lq) X 0.946 353	= liters
gallons X 0.003 785 41	= cubic meters
ounces (avdp) X 28.3495	= grams
pounds (avdp) X 0.453 592	= kilograms
horsepower X 0.745 700	= kilowatts
millimeters X 0.039 370 1	= inches
meters X 3.280 84	= feet
meters X 1.093 61	= yards
kilometers X 0.621 371	= miles
sq centimeters X 0.155 000	= square inches
square meters X 10.7639	= square feet
square meters X 1.195 99	= square yards
hectares X 2.471 05	= acres
cu centimeters X 0.061 623 7	= cubic inches
cubic meters X 35.3147	= cubic feet
cubic meters X 1.307 95	= cubic yards
liters X 1.056 69	= quarts (lq)
cubic meters X 264.172	= gallons
grams 0.035 274 0	= ounces (avdp)
kilograms X 2.204 62	= pounds (avdp)
kilowatts 1.341 02	= horsepower

THESE PREFIXES MAY BE APPLIED TO ALL SI UNITS	
Multiples and Submultiples	
1 000 000 000 000	= 10 ¹²
1 000 000 000	= 10 ⁹
1 000 000	= 10 ⁶
1000	= 10 ³
100	= 10 ²
10	= 10
0.1	= 10 ⁻¹
0.01	= 10 ⁻²
0.001	= 10 ⁻³
0.000 001	= 10 ⁻⁶
0.000 000 001	= 10 ⁻⁹
0.000 000 000 001	= 10 ⁻¹²
0.000 000 000 000 001	= 10 ⁻¹⁵
0.000 000 000 000 000 001	= 10 ⁻¹⁸

Prefixes	Symbols
tara (ter'a)	T
giga (ji ga)	G
mega (meg'a)	M
kilo (kil o)	k+
hecto (hek'to)	h
deka (dek'a)	da
deci (des'i)	d
centi (sen'ti)	c+
milli (mil'i)	m+
micro (mi' kro)	u+
nano (nan'o)	n
pico (pe'ko)	p
femto (fem'to)	f
atto (at'to)	a

+ common term not used in S1 Source: NBS Special Pub. 304.

TRADEMARKS

Aalborg® -is a registered trademark of Aalborg Instruments & Controls.
 Buna-N® -is a registered trademark of DuPont Dow Elastomers.
 VCR® -is a registered trademark of Swagelock Marketing Company.

US PATENT NUMBERS

4,862,750 and 5,561,249

EUROPEAN SERVICE CENTER

Authorized Repair and Service Facility for Aalborg Thermal
Mass Flow Systems Aalborg-MESSTECHNIK GMBH Klostersstraße
18 P.O. Box 1321 Müllheim D-79379 Germany
Telefon: +49 (0)7631 5545 / Fax: +49 (0)7631 14740
Website: www.analyt-mtc.de / e-mail: info@analyt-mtc.de

175, avenue d'Alsace 68000 COLMAR
Tel: 03 89 41 47 78 / Fax: 03 89 41 59 88
e-mail: ANALYT_MTC@T-online.de

ASIAN SERVICE FACILITY

Authorized Repair and Service Facility for Aalborg Thermal
Mass Flow Systems Aalborg- Beijing Comity Measure & Control Co.

Floor 1 Tower B Jindayuan Office Building
Xisanqi, Hai Dian District, Beijing, China
Phone: 86-10-6295-0464, 86-10-6295-0465
Fax: 86-10-6295-0466
Website: <http://www.comity-tec.com>

Products Manufactured By Aalborg

ELECTRONIC METERS & CONTROLLERS

Low Cost Mass Flow Meters

Aluminum or Stainless ● With or Without LCD Readout

Low Cost Mass Flow Controllers

Aluminum or Stainless ● With or Without LCD Readout

Mass Flow Controllers

Stainless ● One to Four Channel Systems

Digital Mass Flow Controllers

Auto Zero ● Totalizer ● Alarms = Built in RS485

Multi-Parameter Digital Mass Flow Meters

Displays Flow Pressure and Temperature

Paddle Wheel Meters

For Liquids ● Optional Temperature Measurements

Smart Rate / Totalizer / Signal Conditioner

LCD Keypad ● RS232 / 485 ● Pulse Output ● Alarms

ROTAMETERS

Single Tube

Aluminum / Brass / Stainless I Interchangeable Glass Flow Tubes ● Optional Valves

Multiple Tube

Two to Six Channels ● Aluminum or Stainless

PTFE Single and Multiple Tube

Chemically Inert ● 1 to 4 Channels ● Interchangeable Glass Flow tubes

PTFE - PFA

Chemically Inert ● Low to Medium Flow of Corrosive Liquids with PFA Flow Tube

Kits

Aluminum / Stainless / PTFE ● Including Five Glass Flow Tubes and a Set of Floats

Gas Proportioners

Aluminum / Stainless ● Used for Blending Two or Three Gases

Medium Range

Glass Safety Shield ● Dual Air and Water Scale

Optical Sensor Switch

Non-Invasive Means for Detection of a High or Low Flow

High Flow Industrial Stainless Steel Flow Meters

Heavy Duty Stainless Steel ● Direct Reading Air and Water Scales

VALVES

Barstock

Brass or Stainless ● Standard or High Precision

PTFE

Chemically Inert ● Needle or Metering

Proportioning Solenoid

Stainless ● For Controlling Gas or Liquid Flow

● Pulse width Modulated

SMV ● Stepping Motor Valve

PERISTALTIC PUMPS

Fixed RPM Pumps

Pump Heads

Tubing Pumps

Variable Speeds

Dispensing Pumps

Flexible Tubings